



July/August 2019

Broadway News

120 Church Avenue SE
New Philadelphia, Ohio
Pastor Mick Foster

The Living Word Outdoor Drama

The Living Word Outdoor Drama is in Cambridge/Guernsey County. This nationally recognized drama brings to life the passion of Jesus Christ. The 400 foot set was researched and designed by the founder-making it an authentic representation of Old Jerusalem. It is presented at the amphitheater, performance is approximately 2 1/2 hours with a 20-minute intermission.



Broadway Church is going to The Living Word Outdoor Drama on **Friday, July 12**. All our welcome! This is a great way to deepen friendships at Broadway, and/or introduce your friends and family to Broadway. We will take the church van and carpool to The Living Word. **We will leave the church at 6:15pm**. In case of rain, we would reschedule for July 19.

<i>Tickets</i>	Adults (13-59)	\$18.00
	Seniors (60+)	\$16.00
	Children (ages 4-12)	\$6.00

If we have a group of 20 adults/seniors attend - price goes down to \$15.00.

Sign-up in Narthex. Please indicate if you are interested in carpooling from the Church parking lot at sign-up. Contact Tammy Beavers for any questions.



“The Problem with America”



I was going through some old paper piles in one of my letter trays and ran across some articles I had saved some years ago. One was a response by the widely respected Christian teacher and author, Dr. Henry Blackaby, to the question, “What do you see as the future of The United States?” The setting was a conference at the Billy Graham Training Center at the Cove, North Carolina, on May 22, 1999. I believe his comments are even more urgent for today than they were then. The rest of my article is taken from Blackaby’s article.

If you put the U.S. up against the scriptures, we’re in trouble. I think we’re very close to the judgment of God.

The problem with America is not the unbelieving world. The problem with America is the people of God. You see, right now there are just as many divorces in the churches as outside the churches. There are just as many abortions inside the churches as outside the churches. There’s only a one percent difference in gambling inside the churches as outside the churches. George Barna did a survey of 152 separate items comparing the lost world and the churches, and he said there’s virtually no difference between the two.

So we have brokenness in the churches, no reconciliation. Our gospel is canceled by the way we live. I’m never surprised at what the world does. They’re acting just like their nature. So I think we haven’t even seen yet what the world can do. The only thing that’s kept America from going haywire worse than it has is the presence of Christian community—we’re still salt and light but when the salt loses its saltiness, there’s nothing to restrain evil in America. And right now the salt has lost its saltiness. It is not effecting the preserving of America.

And so I’ve always said if things get darker in America, the problem is not with the darkness—it’s acting just like its nature. The problem’s with the light. The light no longer dispenses the darkness. And all the way through the Bible, the judgment came on a nation when God’s people would not return unto Him. Right now I believe God’s people do not even believe they’ve departed.

I was reading an assessment of America today by David Wilkerson—author of America’s *Last Call*—you ought to read it; it’s very powerful. He says the sin of America has outdone every other generation, including that of Noah’s day, Sodom and Gomorrah, and any other time in history. The combination and extensiveness of the sin of America outdoes them all. Do we then suppose God is going to spare us judgment? I don’t believe so; as a matter of fact, the greater the knowledge, the greater the judgment. We’ve had greater knowledge about God than any other generation in history, yet we’re doing as little about it as possible. So I am very, very fearful about judgment.

We’ve got to have an observable difference. Is the darkness being dispelled where your church is? In the workplace where God has put you, and in the high school where God has put your kids, [are you bringing] the presence of God there, where you are making a radical, transformational difference? If not, why not? It’s not building bigger and better buildings and having larger budgets or attendance. He’s looking for salt and light that can radically change the places where God has put us.



Operation Christmas Child News

We have some great supplies for our shoebox packing party. The party is scheduled for November 7.

The months of **July and August** we are asking for donations of **notebooks and crayons**. Back to school is the best time to purchase these items.

A donation of \$9 per box is critical for Operation Christmas Child. Examples of cost to other countries are:

USA anywhere in the world OCC /\$9

USA to Tanzania with USPS/\$83.50 for 7 lbs.

USA to Columbia with USPS/\$68.05 for 7 lbs.

USA to Cambodia with USPS/\$71.80 for 7 lbs.

We are planning on again filling and shipping over 1000 boxes this year. Thank you for your love and support in filling shoe boxes for Gospel Opportunities for the children world wide. Please be in prayer for our Samaritan's Purse mission Operation Christmas Child.

"Anyone who welcomes a little child like this on my behalf welcomes me, and anyone who welcomes me not only welcomes me but my father who sent me" (Mark 9:37 NLT).



A Peace that Surpasses All Comprehension

“Behold, an hour is coming, and has already come, for you to be scattered, each to his own home, and to leave Me alone; and yet I am not alone, because the Father is with Me. These things I have spoken to you that in Me you may have peace. In the world you have tribulation, but take courage; I have overcome the world.” John 16:33

These words were spoken by Jesus to His disciples before He was about to be betrayed by Judas in the Garden of Gethsemane. His disciples *would* scatter and He would be left alone by them, but not by God. His disciples would encounter tribulation and be tested, but not before He would show them that their weak faith was justified. By His resurrection, He proved He was who He said He was, the Messiah and they could count on Him.

So as these simple fishermen began to proclaim Him after Pentecost, they were bolstered not only by the Holy Spirit, but by the truth of who He was, God who had died for them. They would receive great power and be given peace. This peace would sustain them through persecution, imprisonment and martyrdom. The world does not have this kind of peace nor can they understand it. It is a peace that we as believers can experience as we face adversity, disappointment, change and things we simply don't understand.

This year, the Haiti team is faced with something we have not encountered before. The U.S. government issued a do not travel alert which we did not have before our previous three trips. Recently, they lowered the alert, but still do not recommend travel there. We have been rescheduled to go in September, but if the government does not lower their advisory, then it probably would not be wise to go. I would ask that you pray that God would lower the travel advisory further, because I believe He wants us to go, but let His will be done, not mine.

When things are uncertain and we cannot see the future, it is the time to remember His promises.

“And we know God causes all things to work together for good to those who love God, to those who are called according to His purpose.” (Rom. 8:28) “Be anxious for nothing, but in everything, by prayer and supplication with thanksgiving, let your requests be made known to God and the peace of God, which *surpasses all comprehension*, shall guard your hearts and your minds in Christ Jesus.” (Phil. 4:6, 7)

If God wants us to go, then there is **nothing** that can prevent us from going. God will not only make a way when we might not see a way, but while we are waiting, He can give us His peace. I say “can,” because we need to be willing to receive it. This peace is a marvelous gift and is based on trust in Him. If He wants us to go, He will make a way. If He doesn't want us to go, He will also make it clear. Either way, we can be assured that our very good God knows what is best AND we can have His peace.

For all of the team and perhaps for you as you face uncertainty or adversity, Jesus says, “Peace I leave with you; My peace I give to you; not as the world gives, do I give to you. Let not your heart be troubled, nor let it be fearful.” (John 14:27)

Lotus McCleery for the Haiti team



Doug Pollock from Athletes in Action will be speaking @ Broadway Sunday, August 11 at 9:45am in Spencer Hall.

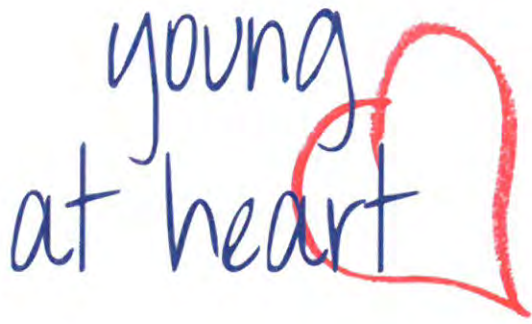
Doug Pollock will be the Mission of the Month for August. Doug is from New Philadelphia and has spoken at Broadway many times bringing his ministry and showing his love for the Lord to us. Doug is committed to guiding God's people into outward focused living. He is an author, a speaker, a chaplain in the YMCA, and since 1983, his ministry with "Athletes in Action" has taken him to 39 different countries, 6 of our 7 continents, and throughout most of the United States to share God's never-changing message with an ever-changing world.

Athletes in Action is an international sports organization focused on equipping athletes, coaches, sports-minded individuals to grow their relationship with Jesus and multiply their lives into others. They serve over 60 countries, on over 200 college campuses, in 40 professional sports teams, and through digital resources, their ultimate goal is to see Christ-followers on every team, in every sport, in every nation.



Please prayerfully consider giving to this mission. Designate gifts to this mission by marking the amount on the Monthly Mission line on your tithing envelope. You can also give online for the Mission of the month.

Broadway mark your calendars for August 11th @ 9:45am in Spencer Hall. Our August mission of the month, Doug Pollock, will be speaking.



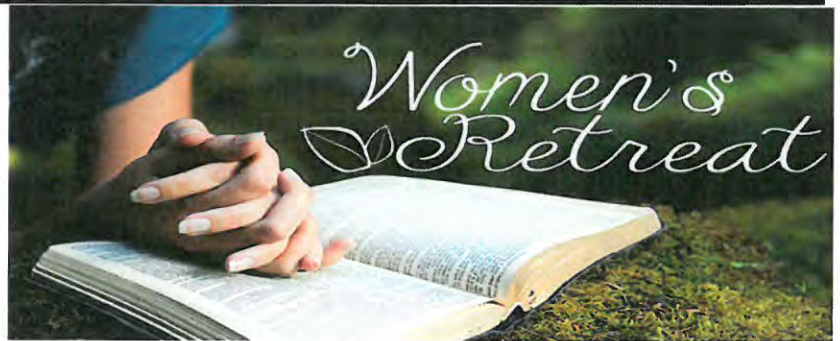
Young-at-Heart

The Young-at-Heart luncheon will be Wednesday, July 10. Lunch will be at Uncle Primo's in New Philadelphia. Contact Carrie Moro (330) 987-6004 or Sheryl Thompson (330) 407-5829 for reservations.

The Young-at-Heart luncheon for Wednesday, August 14 will be at Cross Caffe. Cross Caffe is located at 201 Second St. NW, Strasburg. Please contact Carrie Moro (330) 987-6004 or Sheryl Thompson (330) 407-5829 for reservations.

Betty Thompson Esther Circle Retreat

Our women's retreat will be held August 9th and 10th, our leader for this 2 day event is Rev. Luann Youngman.



Arrive anytime after the noon hour at the Country View Inn in Charm, Ohio to enjoy the grounds.

Registration is at 3 PM. Dinner will be at Susan's right at the bottom of the lane. Final payment is due on July 28th to Rita Roth. Make checks payable to BTEC. At this time we have all rooms filled.

Please be in prayer the Holy Spirit touches us and brings us closer as sisters in Christ Love for his Glory.

Children's Ministry Committee meeting July 18th at 6:30 pm in the God Squad Room





In the last newsletter, we were gearing up for our Vacation Bible school experience at “Roar”. At ROAR, Kids explored Gods’ goodness and ferocious faith that powered them through this Wild life. Each day they learned when **life is unfair...God is good, when life is scary...God is good, when life changes...God is good, when life is sad...God is good, when life is good...God is good.** We also learned that we have a wonderful bunch of people that came together to worship God

here at Broadway. So very many of you contributed so much to Bible school. We know that you were praying because we had 47 – 50 children during the week. We know that you contributed items to help provide supplies that were needed to help to make Bible school a success. We know you are faithful in serving because the week went without any conflict or complications. We know that you are giving because we collected \$509.93 to give to Tuscarawas County Protective Services so they can purchase the items needed for their comfort bags to give to children that will be going to Foster Care.

All of this could not have been done without the wonderful direction of our Director Michelle Stillion. From the bottom of our hearts we thank you, Michelle. God Bless you for your dedication in serving Our Lord and savior, Jesus Christ.

Be the hands and feet of Christ for our Kids Serve in our Children’s Ministry

- Looking for ways to help out in The Children’s Ministry?
- We have many ways for you to get involved!
- We would Love to have your help!



Opportunities available for Sunday school and Jr. Church Classroom Teachers and Helpers, Substitutes and Greeters.

Serve in our JAM room (Nursery/Toddler room) during Sunday school hour or during 10:45 am Worship.

Serve in our Children’s Wing (God Squad during Sunday school)

Serve as Jr. Church Classroom Teacher and Helper (a new class for 1st & 2nd Grade)

Scheduled interval commitments and substitutes available. Please see Micki Coon Children’s Ministry Director.

Vacation Bible School T-shirts

VBS t-shirts available x-small kids—small adult are available with donation. Please contact Micki Coon.



Together we can welcome all of God's children!

Join us each Sunday as your kids participate in small and large group times with other kids and awesome leaders! Each week kids will be challenged to learn and grow in their faith.

Sunday school begins at 9:45 am

JAM (Birth to 3 years old) located right off the Narthex

Little Lamb (Pre-school thru Kindergarten) upstairs in the Children's Wing

Bible Builders (1st, 2nd & 3rd graders) upstairs in the Children's Wing

God Squad (4th & 5th graders) upstairs in the Children's Wing

Sunday school classrooms are to be dismissed to the Sanctuary and sit with their group until dismissed for Jr. Church.

Jr. Church during 10:45am worship

JAM (Birth to 3 years old) located off the Narthex

Little Lamb (Pre-school thru 2nd grade) upstairs in the Children's Wing

God Squad (3rd grade thru 5th grade) downstairs in the Youth Room

Check – In/Out procedures for Sunday school & Jr. Church

Jesus Loves Your Children And So Do We!

To ensure the safety and security within our Children's Ministry, every child from birth-5th grade need to be checked in by a parent/guardian at the Check –in table in the Narthex.

Check In

Parents, please, make sure you stop and complete a security sticker for all children that will be attending Sunday school and Jr. Church. Make sure your phone number, where you will be at during these times, list any concerns and allergies is on the sticker. In case you are needed during this time you will be text or someone will be come and get you.

All security stickers should be placed on your child's back and you need to keep the id stub with you so you can present it when you pick up your child.

Teachers/Helpers will be checking your sticker stub to match it with your child before your child will be released to you.

Children will not be released without the proper corresponding stub.

If parent does not have stub you will be referred to Micki Coon, Children's Ministry Director.

Remember this is all done in love, assuring parents that the safety of the children is extremely important to us here at Broadway.

Nursing Home

Country Club Nursing Home

860 East Iron Avenue Ext. Dover 44622
Nancy Leggett -Room 20

New Dawn Health Care & Rehab

865 East Iron Avenue Dover 44622
Bea Taylor (Cindy Akers' mom)- Room 501
Joyce Pipes-Room 226
Judy Miller-Room 306

Northwood Village

5799 North Wooster Ave. Dover 44622
Estelle Myers—Room 320
Dave Myers—Room 502
Harold Swauger—Room 114
Nancy Berry (Denise Graham's mother)-Rm. 204

Park Village Southside

1019 Oldtown Valley Rd. SE New Phila. 44663
Norma Laner-Room 21F
Ida Fox (Charlene Rankin's mom)-Room 20A)
Dick Beaber
Dorothy Denning-Room 32H
Lois Jarvis-Apt. 11H
Jerry Clendening phone: 330 340-2385

Hennis Care

1720 North Crosss Street Dover 44622
Al Whitmer-805W

Homebound Friends:

Don & Betty Limbacher
412 Ellen Avenue SW New Phila. 44663

Ready to Get Away from it all?

There is still room on all of the trips that Kathy Gibson is doing through Warther Tours!



On August 8 - 10, we have lots of Inspiration by going to Lancaster, PA to see "Jesus" at the Sight and Sound Theater, then to Washington, D.C. to see the Museum of the Bible and an Illumination tour of the monuments. On our way home, we'll stop at Quecreek Mine Rescue. Many people from Broadway have signed up take this trip, so we'll have a blast! There are still a few seats left on this one. We'll do the same trip on August 29 - 31. There is more space available on this one! Then in September 5 - 6, we're headed to the Creation Museum and the Ark in Kentucky with an evening riverboat cruise and dinner. In November, it's off to Washington, D.C. for 4 days. We'll do the Museum of the Bible as well as lots of sightseeing in Washington, Mt. Vernon etc. Also, on December 5 - 6, we'll go to the Christmas adventures at the Union Terminal in Cincinnati and the Creation Museum and the Ark. Please contact Kathy Gibson 330-340-9573 for prices and more information. Flyers for these trips are in the church office.



Broadway
United
Methodist



Youth Ministry

UPCOMING EVENTS

Discipleship Wednesdays
5:30-7:30pm

Fellowship Sundays Noon-2:30pm

SOCIAL MEDIA

www.facebook.com/broadwayumcyouth

@BroadwayUMYouth on Twitter

www.instagram.com/broadwayumcyouth

broadwayumcyouth@hotmail.com

NEWS AND ANNOUNCEMENTS

Over the last few weeks, our group has spent some time on a series titled, "Perfectly Imperfect". In it, we learned that even though we all have imperfections, God will still use us to accomplish His will. We all have gifts and have the responsibility to use them in a way that honors and glorifies God.

Now that Summer is in full swing, we are all looking forward to vacation activities with our friends and family. We will still hold all of our weekly meetings so we can share our vacation adventures during our fellowship time and keep sharpening our minds during our discipleship nights. Summer brings some of our groups own annual traditions as well. We will have our annual pool party at the Dover Pool in July and our Back-to-School Bash at the Beach at Tall Timbers in August. The group is also wanting to organize an all-nighter before school starts back up as well. I better start getting some extra sleep now to prepare for that one!

Although we will all likely be busy throughout the Summer, let us not forget the importance of keeping ourselves in the Word of God. Devote time each day to read, study, and pray. Stay committed and praise God.

Ryan Best
Youth Director

Your Witness—Why Isn't This Person Saved Yet? - by Don Gibson

OK, the Lord has moved you to ask someone in your life about their faith. You're not sure if you should. But you're convicted. You want people to be saved, but you've never brought it up with this person. You're not sure where this person is with salvation—with a personal relationship with Jesus. So you think about it. You pray about it. You decide. "I'm going to ask the person tomorrow when I see him or her."

Tomorrow comes. You're with the person, OK, Lord. I need a door opener. Show me.

Lesson #1: The Holy Spirit will move in your heart whether and when to witness Christ to someone. You're already convicted. So you intend to do it.

Lesson #2: Is this person saved? It's not likely she has never heard of Christ, because you know she attends the church across town. She's even talked about it. Maybe she is. But you don't see much fruit of the Spirit in this person. You think of **1 John 5:10** "*He that believeth on the Son of God hath the witness in himself...*" So if she's saved, she'll be open to discuss it and not be offended. If she's not saved, well, I better keep asking God for an opener. This is how we debate it, isn't it? Will I or will I not bring it up?

Lesson #3: If she is not saved, why not? There's a reason. If you have witnessed much, you know some people praise God for saving them because before their commitment for Christ, they couldn't see how God could forgive them from this one big sin, or this one ongoing sin in their life. It's common to hear that. But their grateful now. Others we talk with are not saved, and they really don't want to get close to God because somehow they know God just can't forgive them for a certain sin or sins. In other words, people conclude that "I've been too bad, and I'm beyond hope. Or, they're afraid to get too close to God because he'll discover how bad I am. So how do we address it if that comes up? We turn to God's Word, the Bible.

Acts 13:39a "*And by Him all that believe are justified from all things...*" The word "all" means "all", "everything". Show these people the Word. Ask them to read it.

1 John 1:8-9 "*If we say that we have no sin, we deceive ourselves, and the truth is not in us. If we confess our sins, he is faithful and just to forgive us our sins, and to cleanse us from all unrighteousness.*" Show them. Tell them they are normal. That's why God wrote these verses.

Romans 3:23 "*For all have sinned, and come short of the glory of God.*" Ask God to direct you to reveal these and other critical Scriptures.

Lesson #4: You and I are instruments of righteousness. We are messengers. Let God's Word do the talking. Then pray. God is present, too. After all, He asked you to be His instrument, not His power.

This column repeats. Got a witnessing question or testimony to share? Call me at 330-260-7837 or email dgibson@linkpointplanning.com, or contact Tammy in the office. Thank you! – Don

July Birthdays

July 2	Rick Coon Kelli Mossor
July 4	Al Whitmer
July 5	Doyle Bolyard
July 8	Barbara Albaugh Gerry Clendenin
July 12	Angie Neff
July 15	Deena Gray Sally Warner
July 17	Jim Whipkey
July 18	Manny Weaver
July 19	Lauryn Lynch
July 20	Judy Hines
July 21	Judy Thompson Linda Spencer Alexis Mamula Shayla Fry Tammy Beavers
July 22	Arielle Reichman
July 23	Addy Kendle
July 24	Kullin Akers
July 25	Leo Wenger
July 26	Angelica Martinez
July 27	Chelsie Doney
July 30	John Roth



Happy Anniversary!

July 5	Pat & Ann Proctor
July 11	Tyler & Arielle Reichman
July 14	Dale & Judy Fincher Ken & Cecily Fincher
July 15	Todd & Chris Kendle
July 18	Paul & Helen Ballard
July 22	Rod & Jane Jarvis



Date night August 24

Any parents with children ages Birth– 5th grade are invited to join us to see the movie *Overcomer* at Tinsel town in Canton, Ohio. Babysitting will be provided. Watch for more details over the next several weeks. Please contact Micki Coon 330-401-6902 for any questions.

Lost & Found

If you have misplaced something at the Church please check the Church Office.

August Birthdays

August 1	Chuck Wenger Sandy Fait Amanda Domer Julie Laughlin
August 8	Larry Graham
August 11	George Yoder Drew Chrisman
August 12	Tom McQueen Ken Finzer Jean Sweeney
August 16	Natasha Akers Frank Larkin Don Limbacher
August 18	Donna Allison Carter Neff
August 19	Sallie Jones Carole Patrick
August 26	Jenny Wenger Mimi Doss
August 29	Riley Miller



Happy Anniversary!

August 2	Lovejoy & Rosie Das
August 11	Manny & Katie Weaver
August 15	Mike & Kelli Mossor
August 16	David & Andrea Brantley
August 25	Pastor Bill & Daryl Sowers
August 27	Dick & Patty Housel
August 28	Chuck & Jenny Wenger



Wednesday Night

Mark your calendars Kid's club will be starting up

again on September 11, from 6:15 pm – 7:30 pm. This time is for kids ages three through 5th grade. Watch for further information. This program will be running simultaneously with the adult Bible Study. If you have any questions call or text Micki Coon 330-401-6902.



Promotion Sunday!

August 25, All children should report to the

same class they have been attending all summer. We will meet for a time of fellowship. During the 10:45 am Contemporary Services Children moving to 1st Grade will receive their Bible and all other children moving up will receive a certificate.

"JESUS WEPT"

I read today that Jesus wept
And it touched my heart somehow
To think of Him:
God's Holy Son- -
(To whom each knee will bow,)
Weeping tears of sorrow deep;
Heart heavy with dismay.
And then I started wondering- -
Does Jesus weep today?

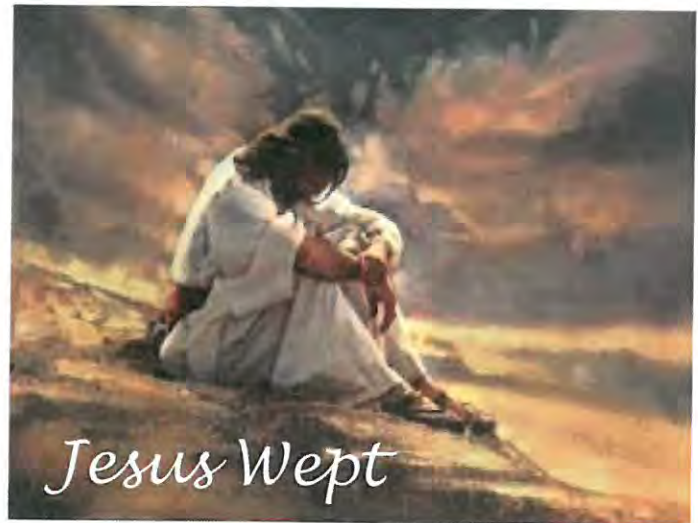
For His own sake He did not weep;
Not for the pain He'd bear.
He wept for men
Souls precious- - lost!
His peace they would not share.
"If thou had'st known",
He quietly said.
But they blindly went their way.
Rejecting Him- - -
His love- -
His grace.
Does Jesus weep today?

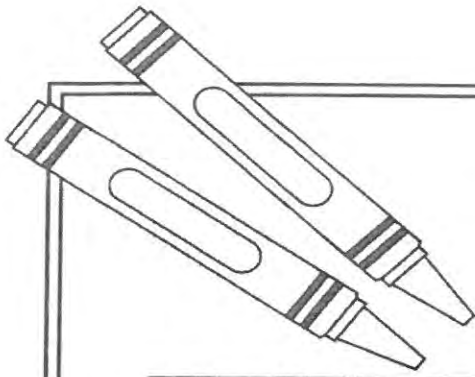
Oh people, can't you hear His voice?
The Shepherd's voice calls even now.
His gift of love still freely flows,
To all whose hearts allow.
Don't spurn His love as those of old
Who didn't want to see;
Ignoring Truth, they served themselves
And nailed Him to a tree.
Like poor lost sheep they'd gone astray
But thought that they were free.
Stubborn hearts would not obey.
I wonder- - -
Does Jesus weep today?

Beloved are you straying too?
Lost in this world's sin and care?
Wandr'ing from His love so true?
Empty-hearted,
Weary- - -
Blue?

Stop a moment.
Think it through.
Does Jesus weep today- - for you?

September 1975
Donna Deedrick
(To God be the glory)





Just for

KIDS

TRAVEL

During the summer many families like to travel. Modern day travel is much easier than it was during Bible times.

Directions: Follow the maze lines. Match people of today with modern ways of travel and Bible characters to ways of travel long ago.



Will your family use any of these ways to travel this summer?