



Broadway News

120 Church Avenue SE
New Philadelphia, Ohio

Pastor Harley Wheeler

We Strive to be Bible Faithful!

September Mission of the Month

The September mission of the month is Blessings in a Backpack Tuscarawas County.

Blessings in a Backpack mobilizes communities, individuals, and resources to provide food on the weekends for elementary school children across America who might otherwise go hungry. They provide elementary students with a bag of groceries. The bags consist of items for breakfast, dinner, and snacks. Since many of the children they serve may not have access to conveniences we take for granted, such as working appliances or a can opener, their menus contain foods that can be eaten directly from the package. The food must also not require refrigeration, require little to no preparation, and be peanut-free.

There are more than 11 million children in this country who are at risk of hunger. The consequences of hunger are much more than a growling stomach. Poor nutrition can result in a weaker immune system, increased hospitalization, lower IQ, shorter attention spans, and lower academic achievement.

Children are fed during the school week by federal government programs, but we want to make sure they're getting nutritional meals over the weekend, too. It cost \$130.00 to feed one child on the weekends for one 38-week school year through the Blessings in a Backpack program. During this COVID-19 pandemic, they have continued the Blessings in a Backpack program. The Results: Nourished Kids Ready to Learn. Food is an essential building block, and in this case truly is a blessing, especially to a hungry child!

Please designate gifts to this mission by giving to the monthly mission line on your tithing envelope.



**BLESSINGS IN A
BACKPACK**

*Who will feed
the kids
this weekend?*

Sept/Oct 2020

Turning Darkness into Light

2 Samuel 22:29-31 "You, Lord, are my lamp; the Lord turns my darkness into light. With your help I can advance against a troop, with my God I can scale a wall. "As for God, his way is perfect: The Lord's word is flawless; he shields all who take refuge in him.



What is 'my darkness' that God turns into light?

We can first make the full confession that when we looked into our hearts, there was all the evidence of a soul that needed life instead of death, holiness instead of sin, and light instead of darkness. Jesus is the light of the world and He shines His light on our lost state. By shining a light, though, He shows us the way out. He is quite specifically, "*my lamp.*" The Holy Spirit can be counted on to show us the way to salvation. Although our sins and cluttered souls may be ranged like an army against us, with His help, we "*can advance against a troop.*"

But there is more. Jesus' light shines daily into our lives. The motion we made to leave all and follow Him that brought us salvation becomes a daily experience. He shines His light on more of our heart; parts we had never noticed before, and we have that same promise; life, healing, holiness and light, if we trust Him enough to move another step closer to Him.

And there is still more. What about our response, our action? Or more likely, our shameful inaction? "*With your help I can advance*", and do we advance? "*With my God I can scale a wall*", but do we attempt great deeds of love and take risks? Do we share our wealth, our time, and our witness? The promise of God turning light to darkness is closely coupled with purpose; to act in this world, to bear the image of Christ to our neighbors, and to live the faith that saves us. This is essential. It makes no difference at all if we have God 'take the steering wheel of our lives,' if our 'car,' remains parked!

Continued on page 3



Turning Darkness into Light



This speaks to me in the time of ongoing emergency in the nation, and the time of transition in our church. We are tempted to do little or nothing until the ‘weather’ clears. While I am all for times of Sabbath, reflection and holy waiting, I am uncomfortable with missing opportunities. Will the world see Christians as bearers of light and life in a time of sadness, difficulty and sin? Will this community of ours find it easy to note that none of this, ‘kept the Broadway Church down?’

Do not be paralyzed by uncertainty. The year has been a constant reminder that life is terribly uncertain. At Broadway, people were saddened by the retirement of Pastor Mick. He not only is well-loved, but also has worked faithfully and insightfully as pastor here. No one who has found a teacher of God’s Word that they also love dearly wants to give up weekly opportunities to hear him teach.

Then there is my appointment here, bringing another note of uncertainty. It was explained that I was a good and useful pastor, but a person can be excused for asking, “But what is he like?”

Then we have the pandemic emergency, the cancelling of school, sports and just about anything else we could name; things that we never thought could be cancelled. Then we experience the enhanced divisions in our nation over issues of race, added atop the uncertainty of another presidential election. The list keeps going, but I think you get the picture. I am not sure we needed more reminders about how changeable life is, but we certainly got that reminder! But uncertainty does not mean we just ‘stop.’ Each day, the loving deed, the faithful call, the God-seeded opportunity are there as clear choices. We can’t figure all this out, we never could, but what we ought to do today is usually pretty clear.

Does God have answers for times like these? Most definitely, yes, He “*turns my darkness into light.*” But His way is to show those answers through the lives of His people. Let us be those people, starting today.

Blessings,
Pastor Harley



Doug Pollock to speak at both services September 20, 2020

Doug Pollock is committed to guiding God's people into outward focused living. He is an author, a

speaker, a YMCA chaplain, and an affiliate of Athletes in Action whose focus is to help Christ followers worldwide increase the quantity and the quality of their spiritual conversations in practical, doable and authentic ways.

Over the years Doug's ministry endeavors have taken him to 42 different countries and throughout most of the United States to share God's never-changing message with an ever-changing world. Currently, his "God Space" book (we have a copy in our Broadway library) and workshop keep him busy speaking in faith communities worldwide.

Doug is no stranger to Broadway Church--he first spoke here in 1983 at the beginning of his faith adventure (that's 37 years!). (The kid from across the hill and a graduate of NPHS in 1976) and his wife, Martha will be with us on September 20, 2020, bringing the message God has laid on his heart at both the 8:15 am service and 10:45 am service.

Please prayerfully consider If you want to contribute to Doug's ministry. If so, please write "Doug Pollock" on your church envelope under Missions for Sunday, September 20th. Please lift up Doug and his family in your prayers for his continued Ministry.

July 2020	Income	Expense
General Funds	28,923.55	24,513.34

Mission Special Projects:

Good Samaritan Funds	250.00
Dover/N.P. Food Pantry	205.00
Samaritan's Purse	2,252.00
OCC	120.99
Salvation Army Meals	101.86

October Mission of the Month

The October mission of the month is Red Bird Mission School. We contacted them to see how they are dealing with the COVID-19 pandemic and how it is affecting them. They are struggling. Their classrooms are not big enough to give the 6-foot social distancing needed during this time. They have a grant that will provide Chrome Books for each student, but the wifi in a lot of this area is non-existent. The state is working on putting wifi in each home. The problem then becomes how to pay for the utility. School buses have been providing meal delivery to the elderly and families in need.



Over the years Red Bird has enjoyed wide support in The United Methodist Church as well from other denominations. In recent years they have seen a decline in the support they are receiving. They are currently facing a financial crisis that is making it difficult to continue all the areas of ministries they provide. Without more funding today, they will have to reduce the level of ministry provided to this community. Your donation to Red Bird Mission will help continue these vital ministries in this distressed region of Appalachia. Please designate gifts to this mission by giving to the monthly mission line on your tithing envelope.

Bible Quiz

Salt is necessary for the human body and has also been used as a preservative for meat and other foods. In the Bible, salt represents permanence, loyalty, fidelity, usefulness, value and purification.

In Matthew 5:13, Jesus tells his followers they are the salt of the earth. But, he adds, "If salt has lost its tasteit is no longer good for anything." What was Jesus' message? Choose the correct answer below.

- A. Jesus' friends should remember him when they put salt on their food.
- B. Jesus' friends are important, but if they fail to serve him and tell others about him, they will have neglected the roles he has for them.
- C. Bad salt is good for nothing.
- D. Christians should have a positive influence on the world.

Answer: B

Update on Haiti Projects

“Now He who supplies seed to the sower and bread for food, will supply and multiply your seed for sowing and increase the harvest of your righteousness; you will be enriched in everything for all liberality, which through us is producing thanksgiving to God. For the ministry of this service is not only fully supplying the needs of the saints, but is also overflowing through many thanksgivings to God.” (2 Corinthians 9:10-12).

In this passage, Paul is encouraging the Gentile Corinthians to give generously to support the poor Jewish believers in Judea. Paul is saying if the Corinthians give, they would supply the needs of these fellow believers and lead to praise and thanks to God.

I am pleased to say that through the generous support of our church much praise and thanksgiving comes from the Haitian community of Manze Marie for the funding of several projects there. As many of you know, due to COVID-19 and the unstable situation in Haiti, the Haiti Missions team was unable to go in July as planned. A total of about \$12,600 (trip and airfare refunds and church donations) has been given to Praying Pelican Missions (PPM) to be used for Manze Marie.

A local Haitian PPM team was sent to the village in our team’s place the same week we were supposed to be there. The local team provided basic health talks to the children, passed out masks and supervised the repair of a community well and building of a livestock pen. An existing well that has been in disrepair for over 10 years, now provides water to the entire community. The livestock pen which is about 85% completed will be used to house, raise and breed pigs and goats. Profits from the sale of animals will go toward paying the salaries of the teachers at the Apricot School which our Haiti Missions team helped build. The teachers will help care for the animals in addition to their school duties.

In addition, the funds will be used to hold a free medical clinic soon in Manze Marie staffed by a doctor and two nurses. Since medical care is too costly and distant for these poor villagers, this will meet a great need.

Many in the community are excited about these new projects and have expressed their gratefulness to the pastor and principal to pass on to our church.

I will be presenting photos of the projects some time in the next couple of months at both services so our church can see the good works that have been done.

While I am disappointed the team was unable to go, I am very grateful for how God was still able to use the church’s funds for the betterment of Manze Marie. Many thanks to all of you who have faithfully, freely and generously supported our team’s trips. God has seen your generosity and it “is overflowing through many thanksgivings to God.”

Lotus McCleery for the Haiti Missions Team

Nursing Home

Northwood Village

5799 North Wooster Ave. Dover 44622

Estelle Myers—Room 320

Dave Myers—Room 502

Nancy Berry (Denise Graham's mother)-Rm. 204

Park Village Southside

1019 Oldtown Valley Rd. SE New Phila. 44663

Dick Beaber—14C

Lois Jarvis—1H

Charles Aubihl

Lois Thomas—50H

Elaine Goddard—10H

Hennis Care Center

1720 North Cross Street, Dover 44622

Harold Swauger—707

Homebound Friends:

Don & Betty Limbacher

412 Ellen Avenue SW New Phila. 44663

Tom & Nancy McQueen

2630 Oldtown Va. Rd. SW New Phila. 44663

Dick & Patty Housel

1729 Oldtown Va. Rd, SE New Phila. 44663

Ken & Cecily Fincher

664 Orchard Avenue NW New Phila. 44663

Don & Hazel Graff

815 Third Street, SW New Phila. 44663

Schoenbrunn Healthcare

2594 East High Ave. New Phila. 44663

Elly Ash

Missionary for Kenya Kids for Christ



Operation Christmas Child PACKING PARTY

Plans are
being made

for our packing party on November 5, 2020. This year's packing will be taking on a different look. We won't be having dinner before packing. We will have sign-up sheets for different times to pack. The morning shift will be for BTEC. We will have an afternoon and evening shift for the congregation. We will have a limit on how many at one time in Spencer Hall. These plans are subject to change depending on COVID-19 guidelines. Please be in prayer as we move forward. WE ARE BLESSED TO BE A BLESSING!

"Anyone who welcomes a little child like this on my behalf welcomes me, and anyone who welcomes me not only welcomes me but my father who sent me (Mark 9:37 NLT).

Betty Thompson Esther Circle

BTEC will meet Thursday, September 3, at 9:30am in Spencer Hall, please follow social distancing, and wear a mask. Thank you!



Parents, be on the lookout for a weekly package of goodies for your children Birth thru 5th Grade arriving at your home beginning the first week of September. The items in this package will coordinate with the Sunday school lesson that is posted on our Facebook page Bumc

Kidmin each Sunday. Below is a list of the lessons each week for the Months of September and October.

9/6/2020 Joshua and Caleb Numbers 13—14

9/13/2020 Joshua and Jericho Joshua 6:1-21

9/20/2020 Elijah on Mount Carmel 1 Kings 18

9/27/2020 Daniel in the Lions' Den Daniel 6

10/4/2020 Jesus Resisted Temptation Matthew 4:1-11

10/11/2020 Jesus Prayed in a Garden Mark 14:32-40; Luke 22:39-46

10/18/2020 Jesus Loved Zacchaeus Luke 19:1-10

10/25/2020 Jesus Blessed the Children Mark 10:13-16

Busy bags will continue to be available for children ages 1 thru 5th grade. You can pick up busy bags on Sunday morning at 10:45 Worship Service. Please return the clipboard in the bag at the end of the service in the basket that you picked up your bag from. They will be disinfected after each use before they are put in the bags for the next week. You will need to take the bag and other items with you or throw them away. We will not be recycling anything from the bags.

What do you see?

Take a look at this line of type:

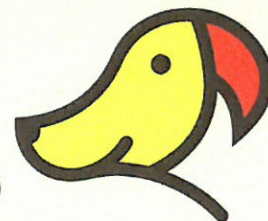
GODISNOWHERE

Did you read it as "God is nowhere"?

Or are you an optimist who read it as "God is now here"?

WHAT DO YOU SEE?

**A DOG
OR
A BIRD**





We warmly invite you to join us for

good food,
fellowship &
Inspiration

**SATURDAY
SEPTEMBER 19**

Carlisle Inn Walnut Creek

NEXT TO DER DUTCHMAN, LOWER LEVEL

★ 2 Times to Choose from This Year! ★

LUNCH begins at 12 noon

DINNER begins at 6 pm

(SAME MENU FOR BOTH MEALS)

Sponsored by the Ohio East Area Team

FOR CONCERNS OR INFORMATION CALL:

Lynette Mahaffey, Area Coordinator, (330) 852-8812

Esther Troyer, Regional Area Coordinator, (330) 204-1502

IZABELLA MCMILLON grew up during the communistic regime in Romania when even attending a church could have resulted in death. Finding a hidden Bible in their home, Izabella and her brother began secretly attending church weekly.

When she was 13 years old, Izabella received a colorful shoebox gift. For her, the gift was life-changing, because it confirmed God's existence and unconditional love. She finally understood that this God that she was reading about in the Bible cared for her. Since that day, Izabella has come to the United States and introduced the shoebox project to churches, schools and her own children. To hear more details on how the Lord answered her prayer through a shoebox, please join us for a special time of Izabella sharing her testimony.



FEATURED SPEAKER

**IZABELLA
MCMILLON**

Shoebox Recipient

from

ROMANIA

★★★
**RESERVATIONS ARE
NECESSARY BY SEPT 11**
SEATING IS LIMITED AND
FILLS UP FAST!

FOR RESERVATIONS CALL:

Reserve your seat by calling Becky Roth at (330) 340-0649 or Loretta Dively (330) 874-2351, please let Loretta know, you are with Broadway Church.

September Birthdays

Sept. 1 Robbin Holman
Sept. 2 Don Whitmore
Brenda Polka
Sept. 6 Pastor Bill Sowers
Marie Westhoefer
Sept. 7 Bri Best
Sept. 9 Justin Domer
Sept. 11 Rosie Das
Sept. 12 Devin Chrisman
Sept. 17 Wayne Burky
Chris Kendle
Phil Neiger
Sept. 18 Becky Roth
Sept. 19 Cheryl Shepherd
Sept. 20 Nathan Wenger
Sept. 26 Will Beavers
David Rankin
Sept. 28 Don Graff
Sept. 29 Cindy Wheeler
Sept. 30 Bill Cunningham



Happy Anniversary!

Sept. 2 Larry & Denise Graham
Sept. 4 John & Karen Jones
Sept. 19 Bob & Sherry Mason
Sept. 23 Jerry & Heather Bauders
Sept. 24 Don & Ginger Whitmore

October Birthdays

October 1 Dave Roll
October 2 Bob Stutz
October 3 Doris Mamula
October 4 Micki Coon
October 5 Danielle Chrisman
Bob Warner
Kathy Willoughby
October 12 Dick Housel
October 13 Jake Akers
October 15 Estelle Myers
October 16 Derrick Brantley
October 17 Hazel Graff
October 18 Becky Foster
October 20 Tyler Reichman
October 21 Jen Miller
Quenton Stillion
October 23 Sandy Beckley
Dan Mamula Jr.
October 24 Pastor Harley
October 26 John Moore
Andrew Mossor
October 30 Kris Bragg

Happy Anniversary!

Oct. 7 Tom & Cheryl Korns
Oct. 9 Seth & Tiffany Kopp
Oct. 11 Barry & Cheryl Shepherd
Oct. 25 Jake & Natasha Akers
Rick & Micki Coon



SCHEDULE

Discipleship Wed's. 5:30-7:30pm

Fellowship: *Virtual Meetings*

SOCIAL MEDIA

www.facebook.com/broadwayumcyouth

@BroadwayUMYouth on Twitter

www.instagram.com/broadwayumcyouth

broadwayumcyouth@hotmail.com

NEWS AND ANNOUNCEMENTS

A small bit of normalcy has returned for our group as we recently began to meet in person once again. Although we remain socially distanced and are wearing face coverings, the chance to meet face-to-face on Wednesday nights has been an incredible blessing. We have continued to offer a simultaneous online meeting for those that cannot make it in order to keep our group together in as many ways as possible.

We recently completed a series titled, "Summer Games" that used a lot of sports themed analogies to help us understand the concepts of self-discipline, teamwork, perseverance, and focus. Our top priority should be to pursue Jesus and we can use those four concepts to help us.

Next up is a series on "Purpose". It is true that we can spend a lot of time trying to figure out what our exact purpose and calling is, asking for something specific for our lives. However, by reading the Bible, it is clear to see that our purpose is to become more and more like Jesus.

We are hopeful and in prayer that as the school year approaches, the students, teachers, staff, and families will all be safe. These are definitely some trying times that we are in, but with God in control, we are in good hands. Until next time...

Maranatha,
Ryan Best
Youth Director

Your Witness—Even Our Hope - by Don Gibson

The nation's suicide rate reached historic highs PRIOR to the Covid-19 pandemic, with rates at the highest levels since WWII. Economic and social pressures this year have heightened the risks—worrying experts, health officials and law makers. Now, suicide mortality rates that were rising over the past two decades combined with the current pandemic are a “perfect storm” says a study published in the Journal of the American Medical Association in April. Factors include economic stress, social isolation, reduced access to religious services, overall anxiety, increased firearm sales, and increases in healthcare provider suicides. For example, a U.S. Senate bill introduced in late July is named after a New York-Presbyterian Hospital ER director who died by suicide in April (www.rollcall.com).

More generally, the Kaiser Family Foundation's tracking poll in July 2020 reveals 53% of adults in America reported their mental health has been negatively impacted due to worry and stress over the coronavirus (www.kff.org).

Hope

Conclusion: Church...we have a problem. People aren't coping with hardships, often first-time trials, as God desires. They see no hope. However, Scripture addresses this. The Bible tells us to turn to God for hope.

In fact, **Hebrews 12:2** instructs us to “*look to Jesus, the author and finisher of our faith.*” And **Hebrews 11:1** defines faith as “*the substance of things hoped for, the evidence of things **not seen.***” So what's the problem? Answer: People tend to look not to Jesus but to circumstances as the basis for their emotional state. They **don't see** a solution. When they see problems growing in magnitude, they worry and get stressed out, sometimes making bad choices. If only their faith was in Christ and the Bible. **Psalm 31:24** says to “*Be of good courage, and he (God) shall strengthen your heart, all ye that hope in the Lord.*” Notice the qualifier—“ye that hope in the Lord.”

So how does one begin hoping in God? Enter, our witness. As believers, we have faith through Christ that others need desperately to hear. So **1 Peter 3:15** instructs Christians to “*be ready always to give an answer to everyone that asks us a reason for the hope that is in us.*” That's our responsibility, but also it's an opportunity for those in distress to experience trials God's way. Here it is. “*Now the God of hope fill you with all joy and peace in believing, that ye may abound in hope, through the power of the Holy Ghost.*” **Romans 15:13. In uncertain times, let's be praying for opportunities to witness; to offer hope.**

This column repeats. Got a witnessing question or testimony to share? Call me at 330-260-7837 or email dgibson@linkpointplanning.com, or contact Tammy in the office.

Prayer and Praise for Learners

Proverbs 8:33 "Hear instruction and be wise, and do not neglect it"

Please join me this September in prayer for our students, teachers, staff and administrators. I love the vision of a country that wants all of its children to have a chance to learn. I admire the dedication of the teachers and other school staff I have met. Let us lift them up to God for strength, encouragement, and safety.

Now my question; Will your prayer be a praise as well?

I know my prayer will also be a praise. I love watching children grow and learn. These are new human beings who are mastering academic and life skills. Amazing! To learn these things is to unfold the image of God that they carry. Reading, singing, making art, doing science; these things separate us from the beasts that roam and perish. To watch a child learn to draw or write is a miracle like watching a flower bloom.

So add a praise to your prayer for the schools this month.

Blessings,
Pastor Harley

Surprised by God

A grandmother took her three-year-old granddaughter into her lap and began reading to her from Genesis. After a while, noticing that the little girl was unusually quiet, the grandmother asked, "Well, what do you think of it, dear?"

"Oh, I love it," answered the child. "You never know what God is going to do next!"



Broadway United Methodist Church

We strive to be Bible faithful!

120 Church Avenue SE New Phila., Ohio 44663

Office Phone: (330) 339-1082

Office Hours: Monday - Thursday 8:00am-4:00pm

E-mail: bumc@broadway-umc.org

Pastor Harley Wheeler

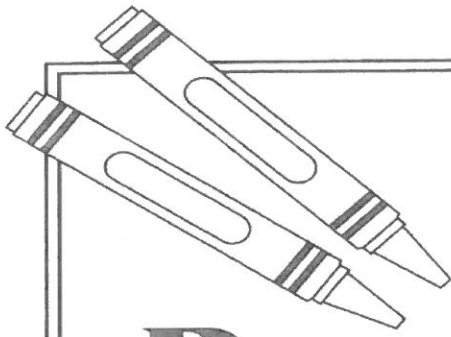
Worship times:

8:15am Traditional

10:45am Contemporary

9:45am Sunday school

Website: broadway-umc.org



Just for **KIDS**

Be transformed

It's the beginning of a new school year, and you'll be growing and changing every day. Below is an important lesson that God wants you to remember.

Color in the letter boxes that have an asterisk (*).

Then write the letters that are left on the lines below to finish Romans 12:2.

c	h*	o	n	d*	f	t*	q*	o	s*	r	a*	b*	r*	m
x*	p	j*	e*	a	t	m*	t	o*	c*	p*	e	r	k*	n
w	d*	o	s*	r*	j*	r	g*	l	b*	l*	i*	n*	d	y*
t	r	i*	a	t*	n	s	r*	f	o	r	v*	m	e	d
r	d*	e	n	h*	s*	o*	e	r*	w	i	t*	n	m*	g
c*	a*	m	b*	u*	i	p*	z*	n	j*	r*	d	y*	o*	u*
a*	r*	s*	t	e	o*	w*	s	k*	v*	f*	l*	t	e*	a*
a	p	e*	r*	p	i*	r	g*	o	n*	v	h*	j*	p*	e
n*	o*	G	b*	i*	o	s*	d	a*	l*	l*	s	e*	t*	h*
s*	p	l	m*	e	y*	a	s	o*	r*	i	n	c*	g	n*
p	e	t*	i*	r	f	w*	t*	e	m*	l*	c	d*	a*	t

"Do not _____ any longer to the _____
of this _____, but be _____
by the _____ of your _____. Then you will be able
to _____ and _____ what _____ will is — his good,
_____ and _____ will." *Romans 12:2, NIV*

Answers: conform, pattern, world, transformed, renewing, mind, test, approve, God's, pleasing, perfect

September 2020

Sun	Mon	Tue	Wed	Thu	Fri	Sat
		1 7:30am The Fella's 9am Bible Study	2 5:30pm Youth 6:15pm Bible Study	3 10am Uberconference 7pm Trekkers	4 9:30 BTEC	5 10am Praise Team
6	7 Labor Day! Office Closed	8 7:30am The Fella's 9am Bible Study	9 Noon Serve Salv. Army 5:30pm Youth 6:15pm Bible Study	10 10am Uberconference 7pm Trekkers	11	12 10am Praise Team
13	14 7pm Church Council 6pm Boy Scouts	15 7:30am The Fella's 9am Bible Study 7pm SPRC consultation w/DS	16 5:30pm Youth 6:15pm Bible Study	17 10am Uberconference 7pm Trekkers	18	19 10am Praise Team
20 <i>Doug Pollock speaking at both services</i>	21 7pm Boy Scouts	22 7:30am The Fella's 9am Bible Study	23 5:30pm Youth 6:15pm Bible Study	24 10am Uberconference 7pm Trekkers	25 BTEC mini -retreat 6pm	26 10am Praise Team <i>Annual Conf. vir- tual 10am</i>
27 <i>Annual Conf.— virtual</i>	28 7pm Boy Scouts	29 7:30am The Fella's 9am Bible Study	30 5:30pm Youth 6:15pm Bible Study			

October 2020

Sun	Mon	Tue	Wed	Thu	Fri	Sat
				1 9:30am BTEC 10am Uberconfer- ence 7pm Trek- kers	2	3 10am Praise Team
4	5 7pm Boy Scouts	6 7:30am The Fella's 9am Bible Study 6:30pm Cub Scouts	7 5:30pm Youth 6:15pm Bi- ble Study	8 10am Uberconfer- ence 7pm Trek- kers	9 <i>Kyle Row- land & Kayleigh Stil- lion rehearsal</i>	10 <i>Kyle Row- land & Kayleigh Stillion Wedding</i>
11	12	13 7:30am The Fella's 9am Bible Study 6:30pm Cub Scouts	14 Noon Serv. Salv. Army 5:30pm Youth 6:15pm Bi- ble Study	15 10am Uberconfer- ence 7pm Trek- kers	16	17 10am Praise Team
18	19 7pm Trus- tees 7pm Boy Scouts	20 7:30am The Fella's 9am Bible Study 6:30pm Cub Scouts	21 5:30pm Youth 6:15pm Bi- ble Study	22 10am Uberconfer- ence 7pm Trek- kers	23	24 10am Praise Team 12pm Pas- tor Harley & Cindy Spen- cer Hall
25	26 7pm Boy Scouts	27 7:30am The Fella's 9am Bible Study 6:30pm Cub Scouts	28 5:30pm Youth 6:15pm Bi- ble Study	29 10am Uberconfer- ence 7pm Trek- kers	30	31 10am Praise Team