



Broadway News

120 Church Avenue SE
New Philadelphia, Ohio
Pastor Harley Wheeler
We Strive to be Bible Faithful!

WORSHIP in the **PARK**

“Let everything that has breath praise the Lord” (Psalm 150:6).

We will have Worship in the Park Sunday, May 16, at 10:45 am. We will worship at the Tuscora Park Amphitheater, followed by a delicious barbecue chicken dinner in the Park Pavilion.

In case of rain, all activities will be in **The Pavilion**. There is a sign-up sheet for those planning on attending the luncheon in the Narthex. Please sign-up so we have a headcount. The deadline to sign-up is May 10. The kitchen will supply the meal and dessert this year no need for the congregation to bring anything. The kitchen crew is excited to bless the church.

Don't forget your lawn chairs, blankets, hats, and sunglasses as we enjoy Worshipping Our Father outside.

Please note, we will not have Sunday school or any other activities at the Church this Sunday.

Here is the menu lunch served at noon.

***BBQ CHICKEN**

(Prepared by Phillips Barbecue Chicken)

*Potato salad/Macaroni salad

*Applesauce

*Baked Beans

*Dinner Roll

*Litty's cake

*Water/Milk/Coffee

The deadline to sign-up is May 10.



WONDER WORLD FUNFEST

Vacation Bible School



Step right up! Through those gates is the one and only Wonder World Funfest. Can you see the rides spinning and smell the cotton candy and popcorn? Get ready for things we don't see or do every day! There's so much fun for everyone! But at Wonder World Funfest, what's most amazing is found in God's Word. Kids will learn about the one and only Savior, Jesus. No matter how wild the ride of life may get, we can be confident in our amazing Savior.

Date: Sunday, June 6 - Tuesday, June 8

Held Outside in the church parking lot

Time: 6:00—8:00 pm

Ages: 2 years old—5th grade

We will be following all Covid-19 guidelines. Children 10 and up must wear masks. Volunteers will be wearing masks at all times. Hand sanitizer will be available at all stations.

Be sure to register at the VBS table or online broadway-umc.org.

VBS Wonder World Workshops

VBS Training Workshops will be held on *May 1, 1-3 pm and May 15, 1-3 pm* in Spencer Hall. Both training workshops are for those who will be helping with VBS this year.

**DONATIONS
NEEDED**

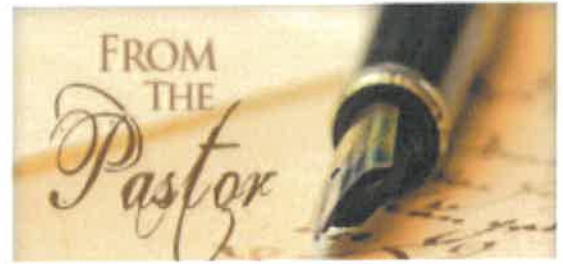
Can you help??

Be sure to stop by the VBS table to see what items we need donated this year! Please take a donation card. The cards are to be attached to the

donated items and returned to the Narthex. If you have any questions, please contact Micki Coon.

Rebuild, Rejoice, Renew

Amos 9:14-15—And I will bring my people Israel back from exile. “They will rebuild the ruined cities and live in them. They will plant vineyards and drink their wine; they will make gardens and eat their fruit. I will plant Israel in their own land, never again to be uprooted from the land I have given them,”



Being relatively new to the area, I had not noticed that the “Welcome To Our City” had been blown down in our recent spring winds. Reading about it in the paper, I was glad to see that plans are going forward to put the sign back in its place. It is part of the shared history of this community.

Think about the steps that need taken to rebuild. First there is the mess to clean up and take stock of. There is someone who will have to shoulder a deal of work. Then there is setting goals around what is most important, laying plans, and inspiring interest and enthusiasm. Then there is the actual work; where some will labor and be recognized, some will toil for no credit at all, and many will benefit from the efforts of the few. Then there is the rejoicing, in the work, in the progress, and in the final achievement.

The church has some rebuilding to do. 2020 was a year that severed connections, interrupted our best events, and sent us many sorrows and discouraging moments. In all this, we found that God is Faithful. He brings beauty from ashes, opens doors of opportunity, compensates our losses, and sends joy into our shadowed hearts. Now, with the ability to worship together, to sing, and to plan, we must begin to rebuild.

There is some mess to clear away. We are still learning how to open things up. There is the national situation where messy unproductive arguments are the rule, and not the exception. There are many people we need to reconnect with.

When I say, that we must rebuild, I am aware that it is not unvarnished good news. Some will carry heavier loads, some will be unthanked, and some tasks will require patience. But there is Good News. God knows our sorrows, He knows our labors, and He delights to see us rebuild. Look at the text above. Isaiah, who kept lifting up the time of the Messiah, talks of rebuilding. He sees the day when the long exile of God’s people will be over. He sees the delight we will have in rebuilding, and receiving the fulfillment of the promises over again. He, most importantly, forecasts that the work will be accomplished. Isaiah is a true prophet. If the fate of God’s people was to feebly try, and despondently quit, he would have said so.

Instead we understand, that Jesus came so that days of rebuilding would come. We rise each Sunday to the celebration of a ‘little Easter’ We see in every Christian’s death the assurance of the Resurrection, and in each sound of a mighty storm, the empowering presence of the Holy Spirit, as at Pentecost.

Rebuild, by bringing your whole engagement to church life. Rejoice in present and future promises, and renew, Live each day as possessors of the Promised Land.

With Rejoicing, Pastor Harley



May Mission of the Month: Christian Children's Home of Ohio

Christian Children's Home of Ohio (CCHO) is a local nonprofit organization that has provided opportunities for donors to help abused and neglected children for more than 50 years. Based in Wooster, Ohio and serving all of Ohio— including Wayne

County, Summit County, Stark County, Cuyahoga County, Franklin County, *Tuscarawas County*, and the surrounding areas—CCHO is a safe place for kids who have suffered extreme forms of physical abuse, sexual abuse, and emotional abuse, as well as survivors of sex trafficking. Initially licensed as a foster care/group home for children, CCHO now has five cottages on its campus that are home to as many as **46 kids, ages 6-17**, who have often been abused by parents or other people they trust.

This faith-based charity in Ohio helps children learn the tools they need to overcome the trauma they've experienced through various forms of therapeutic approaches (including recreational therapy, art therapy, and equine therapy) as well as social, spiritual, and educational opportunities designed to aid the child with the healing process, model for them how a healthy family functions, develop coping and life skills, and introduce them to Jesus Christ.

CCHO exists to help people experience their worth in Christ. Parents and families also have access to counseling and home-based services with the ultimate goal of reuniting children with their families whenever possible. CCHO's professional programs and services are open to individuals and families.

With support from dozens of churches, community organizations, and a host of caring individuals, along with the hard work of more than 150 employees and oversight from their Board of Trustees, CCHO exists to help people experience their worth in Christ as a licensed Child Care Agency by the Ohio Department of Human Services. They are grateful and humbled by the work God has done through CCHO and can't wait to see what He does over the next 50 years!

God's promise to the brokenhearted is clear and encouraging: "I will give them one heart, and a new spirit I will put within them. I will remove the heart of stone from their flesh and give them a heart of flesh." Time and again, they've watched God move in miraculous ways to change the bruised and battered hearts of boys and girls who have never heard that they are loved unconditionally. They come in crisis, in pain, in need, and find safety, healing and peace.

Please prayerfully consider giving to this mission. Designate gifts to this mission by marking the amount on the May Monthly Mission line or writing **Home** on your tithing envelope.



The SPRC is pleased to announce that Chris Demuth will join the Broadway UMC staff as custodian. A joint SPRC/ Trustees Committee meeting was held March 29th reviewing the custodial duties and position. A motion was passed to divide the current full time position into two part time positions to assist in meeting the church custodial needs. Chris begins his new position on May 7th, and will report to Trustees Committee. Please join in congratulating Chris in his new role.

Birthright Shower Planned for June

The Missions Committee is sponsoring a baby shower in June to support Birthright of New Philadelphia. Birthright is a non-profit organization that has provided love and support for over 45 years to women facing unplanned pregnancies. Birthright provides free, non-judgmental and confidential services and maintains a 24/7 helpline. They have chapters across North America and Africa and are supported by volunteers and donations.



Everyone is welcome to attend the shower at which we will have a speaker from Birthright to talk about their organization, along with refreshments and a few baby shower games. The exact date will be announced in the next few weeks via the church bulletin, Facebook, etc.

One of Birthright's services is providing free baby items to their clients. If you could bring needed items from the list below to the shower, it would be much appreciated! No need to wrap the gift.

New items

- | | | | |
|-----------------------------|-----------------|-------------------|-------------|
| Diapers (NB-2T) | Baby wipes | Baby wash | Baby lotion |
| Hooded towels | Wash cloths | Bibs | Burp cloths |
| Sleepers (NB-2T) | Onesies (NB-2T) | Outfits (NB-2T) | Socks |
| Receiving blankets | Crib sheets | Small infant toys | |
| Homemade afghans and quilts | | | |

Used items

- | | |
|------------------------------|--------------------|
| Gently used clothing (NB-2T) | Maternity clothing |
|------------------------------|--------------------|

Nursing Home

Northwood Village

5799 North Wooster Ave. Dover 44622

Estelle Myers—320

Nancy Berry (Denise Graham's mother)-204

Park Village Southside

1019 Oldtown Valley Rd. SE New Phila. 44663

Dick Beaber—14C

Lois Jarvis—1H

Chuck Aubihl—25F

Lois Thomas—50H

Elaine Goddard—10H

Elmer Stein—13B

Hennis Care Center

1720 North Cross Street, Dover 44622

Harold Swauger—707

Hennis Care Rehab

300 Yant Street Bolivar 44612

Tom Korns – Room 312

Schoenbrunn Healthcare

2594 East High Ave. New Phila. 44663

Elly Ash

Missionary for Kenya Kids

The Carriage House

2450 Parr Dr., Rm 206 The Villages, FL 32162

Vic Schrader

Homebound Friends:

Don & Betty Limbacher

412 Ellen Avenue SW New Phila. 44663

Tom & Nancy McQueen

2630 Oldtown Va. Rd. SW New Phila.

Dick & Patty Housel

1729 Oldtown Va. Rd, SE New Phila.

Don & Hazel Graff

815 Third Street, SW New Phila.

Ken Finzer

298 York Drive, SE New Phila.

Barbara Albaugh

940 College Drive SE New Phila.

Suzanne Ballard

1060 Sycamore Circle SE New Phila.

Jennifer George

102 Lincoln Ave. Dover 44622

Nancy Ebersbach

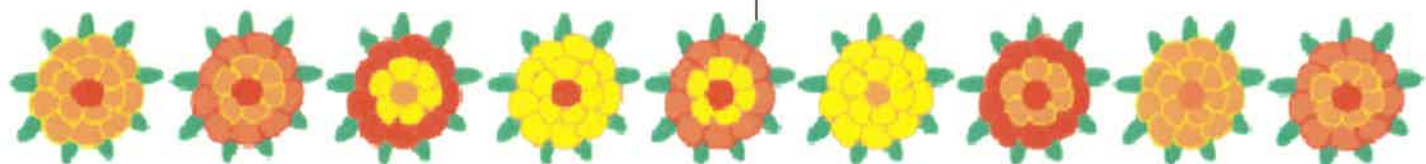
1117 Goshen Ave. SE New Phila.

Carol Patrick

1612 Rose Ct. SE New Phila.

“If you have a mom, there is nowhere you are likely to go where a prayer has not already been.”

- Robert Brault



Operation Christmas Child Rummage Sale

It's time to save your junk/treasures for the OCC Rummage Sale! We will have a church-wide rummage sale with all profits going toward Operation Christmas Child on Friday, August 27, and Saturday, August 28. All proceeds will go toward purchasing items and shipping costs. Remember, one man's junk is another man's treasure. Please store items until the week of the sale and watch for more information to come in the bulletin.



In May and June, we are collecting Children's Small and Youth Size Flip Flops. Donations may be placed in the bin in the airlock. Thank you for all your donations without you we couldn't do what we do for OCC. The Amazing Journey of a Simple Shoebox Gift begins with You and Results in Evangelism, Discipleship and Multiplication.

"Anyone who welcomes a little child like this on my behalf welcomes me, and anyone who welcomes not only me but also my Father who sent me." (Mark 9:37 NLT)

Graduation Sunday

We will be having Graduation Sunday in the month of May. We would like to honor our 2021 graduates! If you are graduating from technical school, high school, college, receiving your bachelors, masters, or doctoral, please contact the church office.

The family of Dave Myers would like to thank our Broadway family for all their prayers, kindness, and support when dad was called home.

Pastor Harley, thank you for planning and leading a wonderful memorial service. Kathy & Don, thank you for your time and patience in creating the awesome slide show. Thank you, Patty, for playing dad's favorite hymns. To the kitchen crew, thank you for the amazing food and to everyone who shared "Dave" stories. We were so happy to share his smiles, his faith, and his love of Broadway with all of you.



In Christ,
The Dave Myers family

May Birthdays

May 2	Cassie Rex
May 3	Bob Allison
May 5	Kinley Reichman Barry Shepherd
May 6	Bill Celce Michelle Stillion
May 8	Andrea Ramage
May 10	Buni Maurer
May 11	Paul Krieger Kurt Rowland
May 12	Ben Brantley Janice Ulrich
May 13	Drake Chrisman
May 14	Julie Mamula
May 18	Sherry Mason
May 19	Arlene Bolyard Hailey Domer
May 21	Mike Mossor
May 22	Darren Rowland
May 23	Linda Krieger
May 24	Tom Korn
May 25	Ed Fry Brooke Miller
May 28	Alvin Das
May 29	Rose Barnish Cheryl Korn
May 30	Jennifer George



Happy Anniversary!

May 3	Phil & Sue Neiger
May 5	Tim & Robbin Holman
May 17	Paul & Linda Krieger
May 25	Dan & Doris Mamula Bob & Sally Warner
May 26	Pastor Mick & Becky Foster



Thank you,
Broadway Church,
for the cards,
prayers, and phone
calls during my
recent illness. You

have no idea how much you brightened my
day by praying and thinking of me.

God Bless,
Barb Ostrander

Membership Classes

If Jesus has called you to grow and serve him alongside believers here at Broadway, you can confirm that all by joining others in the Membership Class led by Pastor Harley. Anyone from age 13 to 103 is invited to come. We will begin classes in May, looking at basic beliefs for Christians. Contact church office if interested.





June Birthdays

- June 3 Clifford Shepherd
- June 4 Lotus McCleery
- June 5 Dale Fincher
Sue Hochstetter
- June 6 Chuck Demuth
Kathy Gibson
Joshua Larkin
- June 9 Dave Schroeder
- June 10 Lovejoy Das
- June 11 Heather Bauders
- June 14 Brittany Domer
- June 15 Rod Jarvis
Betty Limbacher
- June 19 Glen Spencer
- June 20 Jerry Bauders
- June 24 John Hicks
- June 25 Mark Laughlin
Tim Roth
- June 26 Judy Fincher



Church Council

Monday, May 10, at 7:00 pm

in Spencer Hall. Everyone is invited to attend! Please note, you must be a member of Church Council to vote. If you would like to bring something to Council, please notify Mike Mossor.

Happy Anniversary!

- June 7 Justin & Brittany Domer
- June 9 Jake & Jennifer Miller
- June 12 Terry & Pam Hykes
- June 14 Bill & June Celce
- June 15 Wayne & Ruth Burky
Tim & Rita Roth
- June 17 David & Diane Bell
- June 23 Don & Kathy Gibson
- June 26 Dennis & Mary Sears
- June 29 Ed & Melissa Fry
- June 30 John & Becky Roth
Clifford & Patsy Shepherd

Summer Sunday school for Kids:

This summer Sunday school will be open for ages 1-5th grade from 9:45-10:30.

Ages 1-4 will meet in the toddler room. We will start a new curriculum called BOZ! Boz, The Green Bear Next Door, loves exploring God's world and discovering exciting new things.

Those who are currently in **Pre-school thru 5th grade** will meet upstairs in the first room at the top of the stairs. We will be learning the Fruits of the Spirit and The Lord's Prayer. Each week we have a scripture, lesson, craft, games, and other fun activities.

I look forward to teaching these lessons this summer.

Micki Coon



Broadway
United
Methodist



Youth Ministry

SCHEDULE

Discipleship Wed's. 5:30-7:30pm

Fellowship: *Sunday Noon-2:00pm*

SOCIAL MEDIA

www.facebook.com/broadwayumcyouth

@BroadwayUMYouth on Twitter

www.instagram.com/broadwayumcyouth

broadwayumcyouth@hotmail.com

NEWS AND ANNOUNCEMENTS

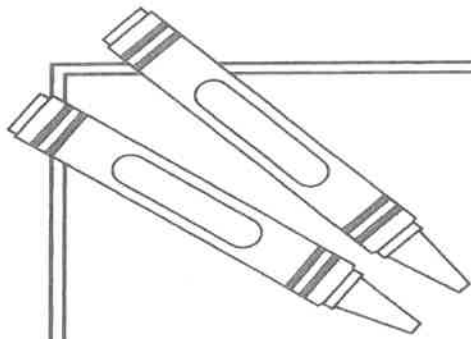
Exams, ACT testing, sports, prom, graduation, new jobs, and summer break are just a few of the topics on the minds of the youth at Broadway. From a distance, it almost seems like things are close to "normal" again. Our group continues masking and social distancing during our meeting times but we are so looking forward to warmer weather so we can get back outside for our Fellowship time.

Our Discipleship nights have seen our slow journey through the book of John continue. Most recently, we've completed Chapter 5 & are about halfway through Chapter 6. Jesus has just fed the 5,000 thousand and we are about to read about him walking on water. This study has been so much fun because we are taking it verse by verse and it really allows us to stop, think, and discuss what we are reading. Not only that, but we are learning lessons that can be applied in our own lives.

It has been requested by some of the group members that we also look back at a series on relationships and dating for young Christians. We have had some lessons on this topic in the past and I believe that some of the group feel there is a benefit to relooking at this subject and further exploring the biblical principles that should be taken into account when they are considering relationships with others. One of the coolest parts about being a Youth Director is when the group is excited about a topic and they WANT to study it more. It gets everyone excited and the conversations are so much deeper.

It's hard to believe that the school year is already nearing an end. By the time I write my next article, we will be ready for some fun summer activities. Until then, be strong and courageous!

Maranatha,
Ryan Best, Youth Director



Just for **KIDS**

A legacy of faith

You're blessed when you have a mother, a grandmother or any relative or friend who passes down a strong faith to you. In the Bible, Timothy was influenced by his grandmother and mother.

Complete 2 Timothy 1:5 (NIV) below by filling in the blanks with the correct vowel.

VOWELS: 1 = a 2 = e 3 = i 4 = o 5 = u

“ ₃ h ₁ v ₂ b ₂ ₂ n r ₂ m ₃ nd ₂ d ₄ f

y ₄ ₅ r s ₃ nc ₂ r ₂ f ₁ ₃ th, wh ₃ ch

f ₃ rst l ₃ v ₂ d ₃ n y ₄ ₅ r gr ₁ ndm ₄ th ₂ r

L ₄ ₃ s ₁ nd ₃ n y ₄ ₅ r m ₄ th ₂ r

 ₂ ₅ n ₃ c ₂ ₁ nd, ₃ ₁ m p ₂ rs ₅ ₁ d ₂ d,

n ₄ w l ₃ v ₂ s ₃ n y ₄ ₅ ₁ ls ₄.”

2 TIMOTHY 1:5 (NIV)

Answer: "I have been reminded of your sincere faith, which first lived in your grandmother Lois and in your mother Eunice and, I am persuaded, now lives in you also."

Your Witness—That God is Our Helper! And Why? - by Don Gibson

God helps us. We depend on Him...daily!

“Our help is in the name of the LORD, who made heaven and earth.” Psalm 124:8

But do others know that? Or do others see that we have it all together, absent God?

Do believers in Christ (and non-believers) see believers as strong people who adapt and deal with things in our own strength (envious by worldly standards), or do they see you and me as needy people, dependent upon God to see us through every day? Isn't that part of our witness—to reveal God's power in our lives—whether we're experiencing trouble or not? Below are a few Scriptural teachings for us to learn and grow in Christ.

“I will lift up mine eyes unto the hills, from whence cometh my help.” Psalm 121:1

Here the Psalmist tells us he will look up to God for help. That's a testimony! Is he in trouble when he says this? No, not really based on this one chapter, though he reveals troubles in many Psalms. The remaining 7 verses in Psalm 121 reveal he'll count on God as he encounters daily life. And he reveals the Lord will preserve him in every way for ever. A testimony.

In **Psalm 46**, the Psalmist does reveal his dependency upon God in times of trouble.

V1 *God is our refuge and strength, a very present help in trouble.*

V2 *Therefore will not we fear, though the earth be removed, and though the mountains be carried into the midst of the sea;*

V3 *Though the waters thereof roar and be troubled, though the mountains shake with the swelling thereof. Selah.*

Six chapters earlier in **Psalm 40:17**, the Psalmist reveals his need for God as his helper.

V17 *“But I am poor and needy; yet the Lord thinketh upon me: thou art my help and my deliverer; make no tarrying, O my God.”*

In **V16**, he calls others to rejoice/seek God. ***“Let all those that seek thee rejoice and be glad in thee: let such as love thy salvation say continually, The LORD be magnified.”***

So his testimony here is about glorifying God. The fact that he **(1) needs** God, **(2) depends on** God, **(3) rejoices** in seeking God is now about glorifying God, and not himself. That my friends, is a witness for the Lord God, Almighty. It reveals his heart for God. Isn't that where God wants us? To count on Him, to rejoice in Him, and reveal Him as our strength. So through day-to-day living—trials or not, God gives us a natural way to depend on Him—then to witness that to others. Want a summary?

“While I live will I praise the LORD: I will sing praises unto my God while I have any being.” Psalm 146:2

It's OK to depend on God. (see **Hebrews 4:16**). Many don't see God has a helper, but as a hinderance. That's why God leads us to be His witnesses. Not always literally for salvation. But that believers count on God as our helper, revealing His power. (See **Exodus 9:16**)

This column repeats. Got a witnessing question or testimony to share? Call me at 330-260-7837 or email dgibson@linkpointplanning.com, or contact Tammy in the office.



June Mission of the Month: Harbor House Women's Domestic Shelter

Alarming statistics indicate that, as you read this short sentence, a woman has become the victim of assault. According to the Partnership Against Domestic Violence, every 9 seconds, another woman in the U.S. is beaten. Every nine seconds.

It's a sobering reality for one in four women in the U.S. will experience domestic violence in their lifetime, most frequently by someone they know. Female victims most commonly first experience domestic violence between the ages of 18-24 (38.6%), followed by age 11-17 (22.4%), age 35-44 (6.8%) and age 45+ (2.5%). Almost one out of five or 16.3% of murder victims in the U.S. were killed by an intimate partner; women account for two out of three murder victims killed by an intimate partner.

Violence against women occurs predominantly behind closed doors at home with most cases having never been reported to police. But that doesn't mean the problem isn't visible and doesn't spill into future generations. Domestic violence is the third leading cause of homelessness among families with 50% of all women who are homeless reporting that domestic violence was the immediate cause of their homelessness, according to The National Center on Family Homelessness.

Broadway Church assists our local Shelter weekly with milk and juice. Mary Lehigh Sears delivers weekly to the Shelter and is in contact with the House Manager to follow up on their needs. Broadway supplied Easter baskets to the children in the Shelter this year.

Please pray about being a part of this project by giving a monetary donation. Designate gifts to this mission by marking the amount on the monthly mission line for June on your tithing envelope.

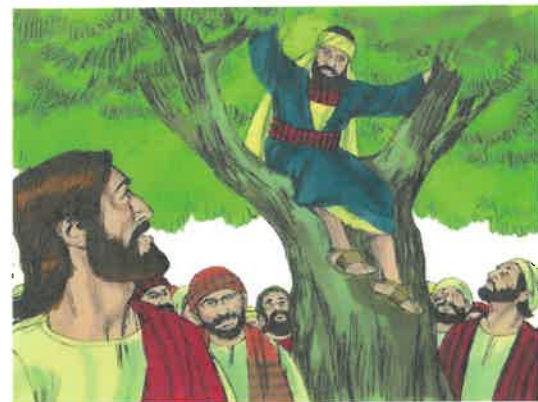


Walking with Jesus Podcasts

Tune in to hear Pastor Harley in conversation with people in our church, looking at Scriptures and talking about their spiritual gifts! Please check the website on the sermon page for conversations with our church family!

The Small Disciple

Luke 19:3 *He wanted to see who Jesus was, but because he was short he could not see over the crowd.*



Zacchaeus is one of our favorite Bible Characters. Most of us can remember times when we were in a place where we were too short to see. Even those who were taller most of their lives can easily imagine what it is like to be the short one in the group. We love his effort to see Jesus.

I also think he makes a good picture of discipleship: We are small and weak until Jesus strengthens us. We are useless until Jesus calls us His friends. We are the most ignorant until He patiently teaches us. We are the poorest until Jesus gives us His grace.

Compared to what the disciple has to share with the world, we are poor and small indeed. If we keep to our own devices and abilities, we will never amount to much in the Kingdom. But when we realize our ministry grows from a starting point of littleness, we will see great things

Pastor Harley, with thanks to Pope Francis, in "[Walking With Jesus.](#)"

Sermon Planning May—June 2021

May 2	"Power's Prayer"	1 Chronicles 29:10-20
May 9	"Evidence of Patience"	1 Timothy 1:15-16 Mother's Day
May 16	"The Medicine of Jesus"	Luke 6:17-26
May 23	"Parables of Power"	Acts 8:9-25
May 30	Pastor Vacation	Pastor Kory Rowland
June 6	"Faith, Hope and Love"	Colossians 1:3-6 Communion
June 13	"Now Accepting Applications"	Romans 8:31-39 Father's Day
June 20	"Miracles We can Believe In:"	James 5:13-16
June 27	Pastor Vacation	Pastor Kory Rowland

Pastor Vacation: Pastor Harley will be on vacation from May 26 to June 1, and June 23 to July 6. Contact the church office if you have an emergency pastoral need.

Broadway United Methodist Church
We strive to be Bible faithful!
120 Church Avenue SE New Phila., Ohio 44663
Office Phone: (330) 339-1082
Office Hours: Monday - Thursday 8:00am-4:00pm
E-mail: bumc@broadway-umc.org

Pastor Harley Wheeler
Worship times:
8:15am Traditional
10:45am Contemporary
9:45am Sunday school
Website: broadway-umc.org