

# Broadway GMC News

120 Church Avenue SE  
New Philadelphia, Ohio  
Pastor Harley Wheeler

*We Strive to be Bible Faithful!*



## Broadway's Family Dinner & Talent Show

Broadway Church Family Dinner & Talent Show is Sunday, May 7<sup>th</sup> at 5:30 PM. Come for a night of fun, laughter, music, and fellowship!

A sign-up sheet is in the Narthex for dinner reservations. We also have a sheet to register your talent for the talent show. We will kick off this event with dinner first, followed by the Talent Show.

## Vacation Bible School

June 4<sup>th</sup>—8<sup>th</sup>, 2023

Time 6:00 PM – 8:00 PM

For ages 3— 5<sup>th</sup> grade

At Stellar VBS, kids discover how to shine Jesus' love and hope in everyday life! Kids participate in memorable Bible-learning activities, sing catchy songs, play teamwork-building games, make and devour yummy treats, experience one-of-a-kind Bible Adventures, collect Bible Memory Buddies to remind them of Jesus' light, and test out Sciency-Fun Gizmos they'll take home and play with all summer long. Plus, kids will learn to look for evidence of God all around them through something called God Sightings. Each day concludes with a Cosmic Closing that gets everyone involved in living what they've learned. Family members and friends are encouraged to join us daily for this special time.



Stop by the registration table to pick up a form or sign-up to volunteer in the Narthex. Contact Michelle Stillion or Kayleigh Rowland for any questions.

## Plenty to Work With

*Romans 5:17” . . . how much more will those who receive God’s abundant provision of grace and of God’s righteousness reign in life through the one man, Jesus Christ.”*



Sometimes the Christian sort of trudges along. He or she feels that there is little help and less hope for the church to change any part of the community. Much less does he expect that the world might be changed through his own life. That Jesus changed the world through the cross, through His Word, and His resurrection, this we grant. We assume He has a plan for reaching our neighbors. But in our own lives, we are intimidated by the sin and the brokenness around us. We do not recognize that a big part of His plan is us!

Paul would surely challenge our hopelessness. The man who wrote that we have “abundant provision of grace” to “reign in life” was not a man who lived without hope. He frankly expected to see great things from the church he served.

God plans to use you as a channel for His love, mercy, and justice in the world. He has such an ‘abundant provision’ that we might best imagine that His work in our lives will not be a modest stream of help to a few, but that, like the late spring rains, would overflow the banks, and spread everywhere!

Search for the place in your circle where God is working. Recognize that you have much to share. Find the open doors that He gives each day to express love and caring to your nearest and dearest, and also to strangers. Look inside this newsletter to see where you might fit into what God is doing among us right now. There are people calling for prayer, places to meet those who are not following Christ, and persons like graduates, to encourage and celebrate. God has given us plenty to work with!

In His Abundant Love,  
Pastor Harley

---

## Pastor’s Bible Study - Proverbs and Parables

Through May and June, Bible Study will combine Jesus’ parables with selections from Proverbs. While the proverbs show us the wisdom of God as it intersects with common sense and ‘how things work’, the Parables call us to consider all that God calls us to, as His Kingdom comes in this world. The Proverbs can enlighten our minds, while the parable speaks to our hearts. The Proverbs are short and to-the-point, while parables invite deep reflection. The Proverbs and the Parables studied together will allow the Holy Spirit to show His Truth in powerful ways. Bible Study will meet Tuesday Mornings at 9:30 AM in Spencer Hall.



## Broadway Welcomes Kayleigh Rowland Our New Children's Director

My name is Kayleigh Rowland and I am so excited to be the new Director of Children's Ministry here at Broadway Church. I have been attending Broadway for 20+ years and have always felt led to be in this position from a young age. I have been married to my husband, Kyle, for 2.5 years and we have two children, Amelia (20 months) and Clyde (6 months).

I can't wait to start working with your kids and helping them grow in the Lord. I am excited to bring new things to our program and developing lasting relationship with our children. I have been in many different roles here regarding our children's program, so I feel like I can bring many pieces to the game and help to grow and strengthen our program!

Please consider helping out with our program through our events that we have coming up or by donating time on a Sunday morning to teach and shape the young minds of our church! Nothing is impossible with your help!



### PIZZA PARTY

Has there ever been a better day to have a pizza party than National Pizza Party Day?

Come and join us on

**Friday, May 19<sup>th</sup>, from 5–7 PM**

**HAPPY NATIONAL  
PIZZA PARTY DAY!**

**in the Church parking lot**

for an End of School Celebration! There will be free pizza, cookies, and games! All ages and grades are invited!



We will need volunteers to help make this event the best for our Church and our bigger community! If you have any questions or want to volunteer to help, please get in touch with Kayleigh or Tammy!



### Church Council meeting

We will have a Church Council meeting on Monday, May 8<sup>th</sup>, at 7:00 PM in Spencer Hall.

Everyone is invited to attend! Please note, you must be a member of Church Council to vote. If you would like to bring something to Council, please notify Mike Mossor.

## NATIONAL DAY OF PRAYER 2023

### COMMUNITY NIGHT OF PRAYER & WORSHIP

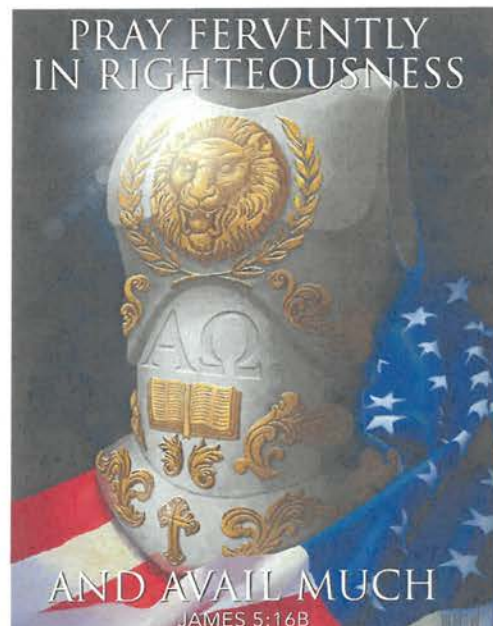
Thursday, May 4<sup>th</sup> at 6:30 PM

In the former Elder-Beerman Home Store  
Inside New Towne Mall New Philadelphia

*"The earnest prayer of a righteous person has great power and produces wonderful results" (James 5:16).*

#### **National Day of Prayer History**

In 1863, during the Civil War, President Lincoln signed a congressional resolution that made April 30 a day of fasting and prayer. After it was signed into law by President Truman in the early 1950s following a joint resolution in Congress, President Ronald Reagan signed an amended law in 1988 that placed it annually on the first Thursday of May.



### Roxford Church Men's Cornhole Social

Third Friday of the month—May 19<sup>th</sup> & June 16<sup>th</sup>

All Men are Invited!

Roxford Family Life Center

661 Roxford Church Rd. SE Dennison

Games start at 6:30 PM

### Christian Children's Home of Ohio

**SUNDAY, JUNE 11<sup>th</sup> | 12:30-3:30 PM**

Make plans to come taste the delicious sliders prepared by their grill teams and vote for your favorite burger. Enjoy picnic classics like hot dogs, pasta salad, chips, ice cream, and more. Bring the entire family for carnival games, bounce houses, hayrides, plus many other



fun activities. This is a free community event. Donations of any size at the gate help a child feel safe and receive trauma care at Christian Children's Home of Ohio.

CCHO address: 2685 Armstrong Rd Wooster, OH 44691

## MAY MISSION OF THE MONTH-Friends of Israel

Israel urgently needs our help! At the beginning of Passover week, scores of missiles flew over the border of Lebanon into northern Israel, and even more rockets were launched from Syria into Israel's Golan Heights. This was the work of Hamas, a designated terror organization bent on Israel's destruction.



Every time the missile sirens blare, 55 Friends of Israel bomb shelters protect as many as 1,100 people throughout Israel. And through the Israel Relief Fund, they are working hard to build more shelters because the threats will continue.

Apart from prayer, the greatest need is for shelters to protect Israeli civilians from missiles. Most homes in Israel do not have 'safe rooms' to shield Israelis from missiles. The Friends of Israel is raising funds to purchase and place missile shelters in Israel in the areas of greatest risk near Gaza. They are precast and can be installed within hours of sending the funds.

The Friends of Israel is a worldwide evangelical ministry proclaiming biblical truth about Israel and the Messiah while bringing physical and spiritual comfort to the Jewish people.

Please prayerfully consider designating gifts to this mission by giving to the monthly mission line on your tithing envelope or write **FOI** on the memo line on your check.

---

## Heaven

Can we ever hear enough about Heaven? Promised by God to all believers, it's where all of us want to live eternally with Jesus, our Savior, and Lord! How much do you know about Heaven, and do you really want to live there forever?

The Wesleyan Choir will present the Cantata "Heaven" at the **8:30 Worship service on May 21<sup>st</sup>**. We've sung it before, but it is one of our favorite cantatas to sing. You'll hear old songs, new songs, and thought-provoking narration that will have your toes tapping and your mind thinking about Heaven.

Do you have some unsaved friends or family that should hear about Heaven and their relationship with Jesus? *Bring them to the service*. The song "Only One Way" addresses that issue. Do you have friends and family that like music? *Bring them to the service*. There are lots of upbeat, fun songs that everyone will enjoy. Singing to a packed house is always more fun, so invite everyone you know to hear "Heaven" on May 21<sup>st</sup>!



## Mom's are Special! Mother's Day 2023

We will welcome all mothers and grandmothers with an extra abundance of love on Mother's Day! Our prayer is that your special day will be full of joy and that God would give you strength and wisdom EVERY day for the important role that He has given you.

**ALL LADIES** (*whether or not you are a mother*) are invited to pick up a special gift in the Narthex on Mother's Day as our gift to you.

---

## ARE YOU GRADUATING?

Are you graduating from high school or college this year? We want to honor you in our special graduation bulletin on May 14<sup>th</sup>. Please contact the church office at (330) 339-1082 or the church email: [tammy@thebroadwaychurch.org](mailto:tammy@thebroadwaychurch.org) with the student's name, the school that they will graduate from, and the degree or major (for college students). All graduates will be honored during the 10:45 AM service on May 14<sup>th</sup>.



## Tribute to Fathers-Father's Day 2023

On this Father's day, we will take a few moments to offer some words of encouragement and appreciation to all the Fathers who will be at worship. In a world that continues to attack Fatherhood in so many ways, we want you to know that we honor and pray for all Father's on this day and throughout the year.

**ALL MEN** (*whether or not you are a father*) are invited to pick up a special gift in the Narthex on Father's Day as our gift to you.

---

## Memorial Day

Memorial Day emerged from the grim shadows of the American Civil War. Before the close of the war, women began decorating the graves of soldiers who had died in that war. The practice quickly spread, and a few years later May 30, 1868, was designated as Decoration Day—a day for placing flowers on the graves of Union and Confederate soldiers throughout the United States.

In 1882, Decoration Day became known as Memorial Day, and soldiers who died in other wars were also honored. Over the years, it has become a day when all loved ones who have died—in war and otherwise—are remembered. In 1971, the United States Congress declared Memorial Day a national holiday to be observed annually on the last Monday in May.

On this Memorial Day, remember those who gave their lives for our country. But also pray for those who continue serving to keep America free, especially those who are in harm's way.

## May Birthdays

May 2 Cassie Rex  
May 3 Bob Allison  
May 5 Kinley Reichman  
Barry Shepherd  
May 6 Bill Celce  
Michelle Stillion  
May 8 Andrea Ramage  
May 10 Buni Maurer  
May 11 Paul Kreiger  
Kurt Rowland  
May 12 Janice Ulrich  
May 13 Drake Chrisman  
May 14 Julie Mamula  
May 18 Sherry Mason  
May 19 Hailey Domer  
May 21 Mike Mossor  
May 22 Darren Rowland  
May 23 Linda Kreiger  
May 24 Tom Korn  
May 25 Ed Fry  
Brooke Miller  
May 26 Dave Watson  
May 28 Alvin Das  
May 29 Rose Barnish  
Cheryl Korn  
May 30 Jennifer George



*May 3 Phil & Sue Neiger  
May 5 Tim & Robbin Holman  
May 17 Paul & Linda Kreiger  
May 25 Dan & Doris Mamula Sr.  
Bob & Sally Warner  
May 26 Pastor Mick & Becky Foster*

## June Birthdays

June 3 Clifford Shepherd  
June 4 Lotus McCleery  
June 5 Dale Fincher  
Sue Hochstetter  
June 6 Chuck Demuth  
Kathy Gibson  
Joshua Larkin  
June 9 Dave Schroeder  
June 10 Lovejoy Das  
June 11 Heather Bauders  
June 14 Brittany Domer  
June 15 Rod Jarvis  
Betty Limbacher  
June 19 Glen Spencer  
June 20 Jerry Bauders  
June 24 John Hicks  
June 25 Mark Laughlin  
Tim Roth  
June 30 Judy Fincher



## Happy Anniversary!

June 7 Justin & Brittany Domer  
June 9 Jake & Jen Miler  
June 14 Bill & June Celce  
June 15 Wayne & Ruth burky  
Tim & Rita Roth  
June 17 David & Diane Bell  
June 18 Dave & Marcia Taylor  
June 22 Pastor Harley & Cindy Wheeler  
June 23 Don & Kathy Gibson  
June 26 Bob & Patty Hile  
Dennis & Mary Sears  
June 29 Ed & Melissa Fry  
June 30 John & Becky Roth  
Clifford & Patsy Shepherd

## Operation Christmas Child NEWS

We are well on our way getting ready for our packing party in November.

We have women making dresses for the girls, and working on getting t-shirts for the 2-4 year-old boys.

We are still in need of **huggables** for all ages. ( beanie babies, stuffed animals, baby dolls, etc.) So for the months of May and June we will again be collecting huggable.



---

## Mission Trip to Operation Christmas Child Processing Center

For all those going on the mission trip to Charlotte, North Carolina, in November, the down-payment is due in June. The Trip dates are November 26<sup>th</sup>—29<sup>th</sup>, 2023.



## Church Wide Rummage Sale

Don't forget as you declutter please save someone else's treasure for our rummage sale August 25<sup>th</sup>. You can bring your treasures to the church the week of August 20<sup>th</sup>.

No clothing please.

*“Let the little children come to Me, and do not forbid them; for of such is the kingdom of God”—Mark 10:14*

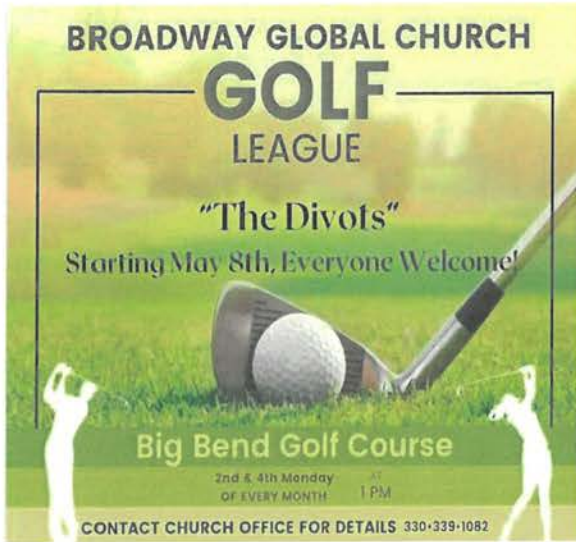
---

## June Mission Dover NP Food Pantry-Volunteer this Summer

The Greater Dover-New Philadelphia Food Pantry is our June Mission of the Month. In 2022, the pantry served 3638 households, representing about 11600 people. This averaged 560 households per week and the number has been trending upward in 2023. Broadway Church is excited to come alongside the Pantry by raising needed financial support. BUT – we also encourage you to volunteer at the Food Pantry this summer. A number of Broadway people volunteer there regularly, and if you have never done so, you are missing a positive experience with a great group of people. You can help at the pantry beginning at **4:45 PM on Thursdays, or 8:45 AM on Fridays**. There is work for people at all levels of ability. The Greater Dover-New Philadelphia Food Pantry is located at 422 W. 3<sup>rd</sup>, in Dover. Questions? Contact Pastor Harley.

Please prayerfully consider designating gifts to this mission by giving to the monthly mission line on your tithing envelope or write **Food Pantry** on the memo line on your check.

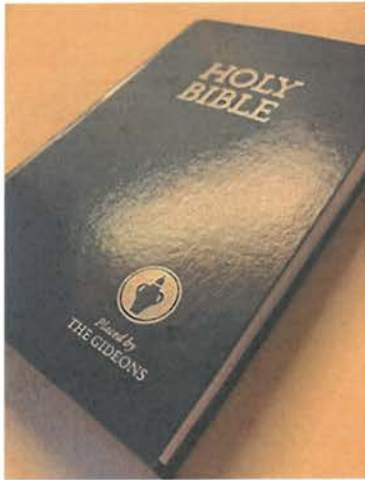




## Broadway Divots

Where are all the golf fans out there!?! This isn't exclusive to just our congregation, this is open to the community! Bring a friend and join us for a fun time of fellowship!!! Be sure to contact the Church Office so we can reserve you a spot!

Broadway Divots will start at Big Bend Golf Course Monday May 8<sup>th</sup>, @ 1:00 PM Tee time. Continuing Golf Dates will be on the 2<sup>nd</sup> and 4<sup>th</sup> Monday of each month, with tee time at 1:00 PM. Contact Jim Whipkey for any questions.



## Gideon Bible Ministered in Hotel Room

Penny shared how devout Christian parents had raised her. After attending salvation classes at her church, she made a public profession of faith and was baptized. However, she never felt or believed that the experience was genuine. Several months later her family stayed in a hotel. She saw a Bible from The Gideons on the bedside table. She spent time reading it, and came upon the back pages that explained God's plan of salvation. She felt led to truly ask for forgiveness and receive Jesus Christ as her personal Lord and Savior. She has been serving Christ after all these years since making that decision. We praise God for how His Word impacted Penny's life and her spiritual journey.

## Gideon Scripture Blitz Distributed 44 Thousand Bibles

On April 17-18-19, sixty Gideons and Gideon Auxilary (wives of Gideons) from around Ohio distributed 44 Thousand Bibles or New Testaments in the greater Columbus area. Distribution locations included hotels/motels, police/fire/paramedics, hospitals, nursing homes, offices of doctors, dentists, attorneys, medical/health care therapists, schools, Columbus State University, and other avenues.

**Don and Kathy Gibson** were part of the team on Monday, distributing to medical offices in Worthington and Dublin. This fall Gideons will distribute 7 thousand copies to students and faculty at The Ohio State University.

**Locally our own Tuscarawas County Gideons distribute year-round** to Gideon distribution avenues here locally, as do Gideons in most cities and towns in Ohio, America, and worldwide. **However, major cities** have so many distribution points, other Gideons join those Gideons for a Scripture blitz. Cities like Columbus, Cleveland, Cincinnati, Dayton, Toledo, Akron, and Dayton get blitzes at least every three years.

## Impact Youth Schedule for March/April 2023

May 3<sup>rd</sup> No discipleship this evening

May 6<sup>th</sup> First Saturday Fusion at the Roxford FLC 7:00-9:30 PM  
Broadway van leaves at 6:30 and drops off at 10:00.

May 10<sup>th</sup> Discipleship at Broadway from 6:30-7:30 PM

May 14<sup>th</sup> Mother's Day—No Youth

May 17<sup>th</sup> Discipleship at Broadway from 6:30-7:30 PM

May 21<sup>th</sup> Youth Service at Roxford 9:00-11:00 AM  
Participation is important & expected.

Youth at Roxford from 6:00-7:00 PM. Broadway van leaves at 5:30.

May 24<sup>th</sup> Discipleship at Broadway from 6:30-7:30 PM

May 28<sup>th</sup> Youth at Broadway from 6:00-7:30 PM

June 3<sup>rd</sup> First Saturday Fusion (location/details TBA)

June 11<sup>th</sup> Youth at Broadway from 6:00-7:00 PM

June 14<sup>th</sup> Discipleship at Southside Park from 6:30-7:30 PM. Bring a snack  
and drink.

June 18<sup>th</sup> Father's Day—No Youth

June 21<sup>st</sup> Discipleship at Cross Café from 6:30-7:30 PM

June 25<sup>th</sup> Youth at Broadway from 6:00-7:30 PM

June 28<sup>th</sup> Discipleship: Details are TBA

We are looking forward to a great start to Summer! Please participate as much as possible. Each of you has an important role in what makes us Impact Youth. There are so many awesome experiences and activities to enjoy and learn from. Please, bring your Bible, pen and notebook on Sunday and Wednesday evenings. Be sure to participate in the upcoming fundraisers to help decrease the cost of youth activities and lower the cost of your Alive trip! See you soon.

**Youth Ministry Director**

**Shelly Hawthorne 330-432-7520**

**Request to join the Remind App for the latest youth updates.**



## **Your Witness: Why Are We Ready—or Not Ready? - by Don Gibson**

Christians are vulnerable to this mental notion that “Maybe I’m not prepared ENOUGH to be God’s witness. Maybe I should be cautious about being Christ’s witness till I’m fully qualified.” Why would we think that? Paul said this in **Romans 1**:

**15 So, as much as in me is, I am ready to preach the gospel to you that are at Rome also.**  
**16 For I am not ashamed of the gospel of Christ: for it is the power of God unto salvation to every one that believeth; to the Jew first, and also to the Greek.**

See that? Paul is ready because he is not ashamed of the gospel of Christ. His words. He didn’t say he’s ready because he has an associate degree in theology, or that he took an online course. No...it’s because he is not ashamed of the gospel. Wow! Is that Satan playing with us—convincing us that we’re not qualified? What qualifies us is that Christ saved us and sends us to tell others. Letting Christ speak to us through HIS WORD, and opening our heart to the Holy Spirit, who Christ sent, is what qualifies us. These are Jesus’ words in **John 16**:

**7 Nevertheless I tell you the truth; It is expedient for you that I go away: for if I go not away, the Comforter will not come unto you; but if I depart, I will send him unto you.**  
**8 And when he is come, he will reprove the world of sin, and of righteousness, and of judgment:**

That’s why we’re not ashamed of the Gospel—because the power of God convicts us of sin, righteousness, and judgment. That’s what drives us. It’s God working in us; not Satan. Look at **James 4**:

**6 But he giveth more grace. Wherefore he saith, God resisteth the proud, but giveth grace unto the humble.**  
**7 Submit yourselves therefore to God. Resist the devil, and he will flee from you.**  
**8 Draw nigh to God, and he will draw nigh to you. Cleanse your hands, ye sinners; and purify your hearts, ye double minded.**

God says to be humble, resist Satan by submitting to God, and draw close to God. Paul’s bottom line in Acts 26:16: Christ told Paul He appeared to him TO MAKE him a minister and a witness. God’s power. Our bottom line in 2 Timothy 1:

**8 Be not thou therefore ashamed of the testimony of our Lord, nor of me his prisoner: but be thou partaker of the afflictions of the gospel according to the power of God;**  
**9 Who hath saved us, and called us with an holy calling, not according to our works, but according to his own purpose and grace, which was given us in Christ Jesus before the world began,**

**This column repeats monthly.** Got a witnessing question or testimony to share? Call me at 330-260-7837 or email [dgibson@linkpointplanning.com](mailto:dgibson@linkpointplanning.com), or contact Tammy in the office. Thank you! – Don

## Nursing Home

### Northwood Village

5799 North Wooster Ave. Dover 44622

*Nancy Berry (Denise Graham's mother)-204*

*Sheryl Thompson- 510*

*Don & Betty Limbacher*

### Park Village Southside

1019 Oldtown Valley Rd. SE New Phila. 44663

*Dick Beaber—14C*

*Lois Jarvis—1H*

*Nancy Ebersbach—24C*

### Park Village

1525 North Crater Ave. Dover 44622

*Don Storad (Sally Storad's father-in-law)*

### Hennis Care Center

300 Yant Street, Bolivar 44612

*Tom Kornis—312*

### Bolivar Horizons

10071 State Rt. 212, Bolivar 44612

*Jennifer George*

## Homebound Friends:

### *Dick Housel*

1729 Oldtown Va. Rd, SE New Phila.

### *Don & Hazel Graff*

815 Third Street, SW New Phila.

### *Clifford Shepherd*

719 Third Street, SE New Phila.

### *Phil Neiger*

3739 Kneuss Road, NW New Phila.

### *Sue Whitmer*

2309 Tabor Rd. NE New Phila.

### *Maxine Reichman*

216 Creekside SE New Phila.

### *Joyce Greco*

1291 Hilltop Road, NW New Phila.

### *Donna Deedrick*

144 North Avenue, NW New Phila.

### *Kris Bragg*

2189 Possum Hollow Rd. SE New Phila.

### *Ginger Whitmore*

3301 Cobble Stone Drive  
Washington, PA 15301



## **PENTECOST – WEAR RED TO CHURCH**

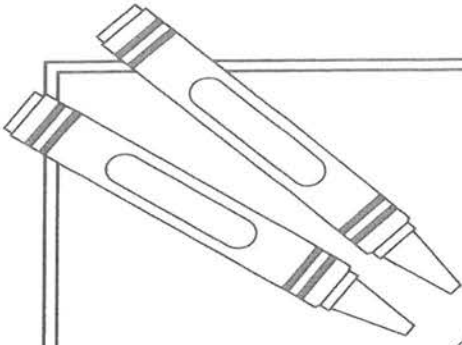
June 4<sup>th</sup>, is Pentecost Sunday. Pentecost celebrates the coming of the Holy Spirit 50 days after Easter. It is the birthday of the Christian church. At Broadway, it's become our custom to wear red to Church to reflect the color of the tongues of fire that symbolize the Holy Spirit.

## **Bible Quiz**

June is a popular month for weddings. The gospel of John tells about a wedding Jesus attended at Cana. At the reception, he offered a special gift. What was it?

A. Money   B. Pottery   C. Healing   D. Wine

*Answer see John 2:1-11*



Just for

**KIDS**

# Mothers of the Bible

God wants us to love and honor our mothers – not just on Mother’s Day, but every day. The Bible tells us about many mothers who loved God.

Use the code to discover each mother’s name.

4✦ 1☞ 1⌘ 2∩ 1∪

2☞ 1∩ 3∩ 3⌘

1✦ 4∪ 1✦

3∪ 1☞ 2☞ 1☞ 3⌘

3⌘ 1☞ 4∩ 1☞ 2☞

3⌘ 1☞ 4✦ 4✦ 1☞ 3⌘

2∩ 1☞ 2☞ 2⌘

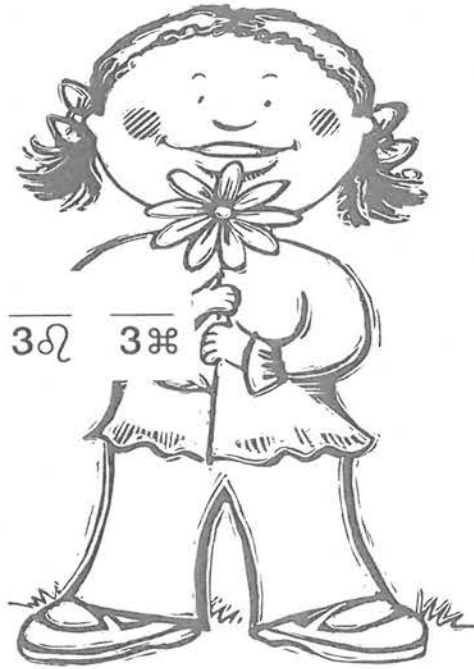
1✦ 2∪ 1∪ 3☞ 1☞ 3✦ 1✦ 3∩ 3⌘

2∪ 1✦ 1☞ 3⌘

2☞ 1☞ 2✦ 3⌘ 1✦ 2∪

2☞ 1✦ 3✦ 1✦ 4⌘ 1☞ 3⌘

CODE					
	☞	✦	∪	⌘	∩
1	A	E	I	O	U
2	R	C	L	Y	M
3	Z	B	S	H	T
4	D	N	V	K	G



Answers: NAOMI, RUTH, EVE, SARAH, HAGAR, HANNAH, MARY, ELIZABETH, LEAH, RACHEL, REBEKAH.



Scan to link to Broadway's website:  
[thebroadwaychurch.org](http://thebroadwaychurch.org)

- May 7** "Open the Door Fast" Luke 12:35-40
- May 14 Mother's Day/Graduation Sunday**  
"Earthquake Prayer" Psalm 18:1-24
- May 21** 8:30 AM Wesleyan Choir "Heaven"  
10:45 AM Speaker: Doug Pollock is an affiliate of Kindness Outreach Ministries, whose focus is to help Christ followers worldwide increase the quantity and the quality of their spiritual conversations in practical, doable, and authentic ways.
- May 28** Pastor is on vacation—8:30 AM Dale Fincher and 10:45 AM Lovejoy Das
- June 4** "Staining at the Oars" Mark 6:45-52
- June 11** 8:30 AM "Mercy's Two Arms" Psalm 116  
10:45 AM VBS Program
- June 18 Father's Day**  
"Hope on a Billboard" Habakkuk 2:1-4
- June 25** Pastor is on vacation—8:30 AM Don Gibson and 10:45 AM Ryan Best

---

Pastor Harley will be on vacation May 24<sup>th</sup>—May 30<sup>th</sup>, and also June 22<sup>nd</sup>—July 10<sup>th</sup>.  
If you have an urgent pastoral need, contact the Church office.

---



*A special Thank you to all those who took part in making our shut-ins, and homebound feel loved this Easter. Every one of them received a special gift. The **Broadway Mission Workers** sponsored all the baskets.*

**Broadway Global Methodist Church**  
*We strive to be Bible faithful!*  
120 Church Avenue SE New Phila. Ohio 44663  
Office Phone: (330) 339-1082  
Office Hours: Monday - Thursday 8:00am-4:00pm  
E-mail: [tammy@thebroadwaychurch.org](mailto:tammy@thebroadwaychurch.org)

**Pastor Harley Wheeler**  
Worship times:  
8:30am Traditional  
10:45am Contemporary  
9:45am Sunday school  
Website: [thebroadwaychurch.org](http://thebroadwaychurch.org)