

Broadway GMC News

120 Church Avenue SE
New Philadelphia, Ohio
Pastor Harley Wheeler

We Strive to be Bible Faithful!



Read Through the Bible in 2024

A year-long journey through the Bible, starting "IN THE BEGINNING" and ending with the last "AMEN."

This plan works chronologically through the Bible, with a Psalm or story from the life of Jesus sprinkled in every day. May

you experience "THE FULL STORY" as you join this journey.

The YouVersion app has this plan, so you can follow along on your phone or pick up a written copy in the airlock above the drinking fountain. Read the Bible and see God every day.



SOUPER BOWL COOK-OFF!

Enter your favorite recipe in the Souper Bowl 2024 Cook-Off. Do you have a family favorite soup everyone asks for? The cook-off is open to everyone to show us what you've got! We will have one combined Worship on Sunday, February 25th. Our Youth will lead the service, and after Worship, let the cook-off begin!

All are welcome to bring your crockpot of soup and fixings. We will have a sign-up sheet in the Narthex to register your soup. Everyone will be able to sample the competing soups. Come for a great time and some delicious soup!

Hang out with us for lunch and a friendly competition on February 25th. We're pretty sure this Soup Cook-Off is the tastiest competition of the day! Cook up your best pot of soup (and don't forget the toppings!), and the judges will vote on our favorites. Join us after worship for a time to gather, eat and laugh together. ***Bring your favorite dessert to share with everyone if you would like!***



January mission of the month: Red Bird Mission

The January mission of the month is the Red Bird Mission. Red Bird Mission, Inc. and Red Bird Clinic, Inc. have been providing ministries in this region of the Appalachian Mountains since 1921.

Poverty, isolation, and lack of economic opportunity are the overarching circumstances of the community that create a variety of basic needs for human life and existence. The poverty rate among all people in the counties averages 30%. Hunger is widespread among all age groups. Access to quality education is limited in the public schools that are more distant from these remote communities. The availability of jobs is shrinking in the region as the coal industry in Kentucky has been hard hit by environmental regulations. Housing is inadequate and unsafe for many. The well-being of their elderly population is fragile due to their isolation and lack of transportation.

Please prayerfully consider designating gifts to this mission by giving to the monthly mission line on your tithing envelope or writing **Red** on the memo line on your check.



Pastor's Bible Study

Bible Study will resume on January 9th and 10th, with Tuesday Morning Study at 9:30 AM and Wednesday Evening Study from 6-7 PM. We will finish our study in James and then continue to look at other scriptures that will help us all live faithfully in the hope of Jesus. Each study is designed to be

helpful, even if this is the first time you have attended. Feel welcome to stop and experience the fun of looking at god's Word together!

Giving the right message

Two pastors stood by the side of the road holding up a sign that read: "The End is Near! Turn around now before it's too late!"

Along came a young man who apparently had no time for religion. He slowed his car down and yelled at the clergymen, "Leave us alone, you religious nuts!" Then, with tires screeching, he sped off. He had hardly left the scene when the clergymen heard a terrible noise that ended with a loud splash.

One pastor turned to the other and said "Do You think we should change our sign to read simply, 'BRIDGE OUT'!?"



Amazed, Treasured, Considered

Luke 2:19 "But Mary treasured up all these things, pondering them in her heart."

We are past the celebrations of Christmas, and you may be already missing the excitement of seeing family and friends (or you may be relieved after all that extra effort). I want to look at a Christmas text that has a lot to say about how we can begin a new year together.

"Mary treasured up all these things, pondering them in her heart." Consider that the story takes us to the impact that Jesus has upon an individual person. Mary is an extraordinary vessel for God's purposes, and she set the example for all the faithful by saying "Yes" to God (Luke 1:38). But she still needs to live onward through the story. Saying 'yes' is a thing done at one point in time, while bringing your soul and mind into partnership with the Lord is a daily task.

Mary had heard amazing things. She heard the words of the angel Gabriel, the affirmation of her cousin Elizabeth, and the startling news the shepherds brought. The amazing things God does give us a window to the purposes He has for our lives. It was not just that the shepherds could 'see a lot better' when the Glory of heaven was shown around them, they were experiencing heaven happening within the story of earth. Mary could count on the power of God to be present in each day.

Mary treasured these things. The promises of God were coming true in her life. Not just the promise of the Angel, but all the promises God had made to His people. She could face each day of her story as a piece of the larger story of God saving His people. She could look for the continuing witness of the promises coming true in her life.

Mary considered the things she had heard. We can, alongside Mary, ask, "What does it mean to my day, today, if God is making His love known to others through me? Can I live expecting God to give more and more of His Son to me? Can I, in turn, pour this into the lives of others?"

We would be a markedly different people this year if we allowed our hearts to be amazed, our minds to treasure, and our souls to ask the questions that God's goodness in our life present. The life of the disciple is bound up with doing these things that Mary patterned for us, each day.

Be blessed in the time He sends,
Pastor Harley

Thank you!

Pastor Harley and Cindy, thank you all for making Christmas a season of love and joy to us. We received many cards and expressions of love this December, and we are so thankful and privileged to serve among you God bless you all.





February mission of the month: Selway Family

The February mission of the month is a new missionary to Broadway -Clay and Emily Selway, who are with Cru Ministries.

Clay is originally from New Philadelphia, Ohio, and graduated from OU in 2012 with a degree in education. He is a Cleveland sports lifer who loves playing ultimate frisbee, basketball, or disc golf. He also loves learning history, so he's glad to listen if you have any stories! An avid runner, you can find him somewhere on the local bike path during his downtime.

Emily grew up in the eastern suburbs of Dayton. She joined the staff team at Ohio University after graduating in 2013 with a degree in commercial photography. Emily loves Jesus, loves college students, and wants everyone to have an opportunity to know who Jesus is. She enjoys hiking, running, camping, reading, and photography. Emily and Clay also love spending time with their sons Elliott (age 5) and Judah (age 3).

During their time as students at Ohio University, they became involved in Cru's ministry on campus. They found that as they said yes to following Jesus, the Lord began to change each of their lives dramatically. After graduating (Clay in 2012 and Emily in 2013), God put a desire on their hearts for students coming after them to have their lives changed the way theirs were. It's this desire to see students truly know Jesus and become his disciples that has led them to work with the ministry of Cru.

They are committed to winning people to Jesus, building them up in their faith, and sending them to make disciples and live out the Great Commission. They've each worked full-time with the ministry since 2014 and continue to feel God's call in their life to serve on the college campus. Clay continues working with students on campus at OU while Emily does graphic design and videography for their local Cru team at OU and Cru's national design and videography team.

Clay will bring the message to Broadway at both services on Sunday, February 11. Please prayerfully consider designating gifts to this mission by giving to the monthly mission line on your tithing envelope or writing **Selway** on the memo line on your check.

"I have been driven many times to my knees by the overwhelming conviction that I had nowhere else to go. My own wisdom, and that of all about me, seemed insufficient for the day."

– Abraham Lincoln



Small Group Bible Studies Beginning in January

Build Relationships: Small groups are a place to provide care and support for one another physically, emotionally, and spiritually.

Grow Spiritually: Small groups will help you grow deeper in relationship with God and one another.

Be the Church: The study experience will inspire life change that develops people into disciples of Jesus.

Do Life Together: Bible Study allows God's Word to take deep root in your life.

Our Small Groups meet on a semester schedule, with this session beginning the week of January 8th, running 8-10 weeks and then a break. They will follow a study guide developed to support the Sunday sermons. Groups meet in different locations and at different times. To register and receive more information about the group, add your name to the sign-up sheet in the Narthex for a group time that best fits your needs.

This is important, and we urge **All** of you to join in a study. The Christian life flourishes in community. Small Groups help you walk in faith by sharing life and growth with others. Your relationship with God is much deeper when you study Scripture on a regular basis. Scripture is the Word of God – and in His Word He reveals His character and promises.

If you would like more information or to explore starting a new group, talk to Pastor Harley, or email him at revharleywheeler@hotmail.com



Cindy McComb
Tuesdays at 2:00 PM
In the Library

Andrea Ramage
Mondays at 6:00 PM
In the Library



Kathy Whitson
Tuesdays at 6:00 PM
In the Library



Lotus McCleery
Mondays at 6:30 PM
At her house

Broadway's Leadership Index 2024

Church Council

Chairperson: Mike Mossor
Administrative Assistant: Tammy Beavers
Audio Visual: Don Gibson
Bereavement Coordinator: Becky Roth
Children's Director: Kayleigh Rowland
Finance Chairperson: Marlene Miller
Finance Secretary: Jenny Wenger
Lay Leader: Don Gibson
Lay Member to Annual Conference: Dale Fincher
Memorial fund: Cindy McComb
Mission Chairperson: Mary Tweddle
Praise Team Leader: Tim Larkin
Security: Chris Demuth
Staff Parish Relations Chairperson: Pat Proctor
Treasurer: Angela Best
Trustees Chairperson: Verle Deibel
Worship Chairperson: Kathy Gibson
Youth Director: Shelly Hawthorne

Members at Large

Chuck Demuth
 Dave Rankin
 Jim Whipkey
 Ann Proctor
 Lotus McCleery



Staff-Parish Relations Committee * Notes the Chairperson

2024	2025	2026	Lay Member
Dave Rankin	*Pat Proctor	Ed West	Dale Fincher
Larry Graham	Mary Ellen Whipkey	Chris Rabes-TBA	
Tim Roth	Judy Thompson	Darren Rowland	

Finance Committee * Notes the Chairperson

2024	2025	2026	Lay Leader
Will Beavers	Jane Jarvis	Dave Roll	Don Gibson
Donna Allison		*Marlene Miller	

Reps. from Church Council, Trustees, SPRC, & Lay Member

Treasurer: Angela Best (without vote)
Memorial Fund: Cindy McComb
Financial Secretary: Jenny Wenger
Counters: Patsy Shepherd and Cecily Fincher
Audit Committee: Pam Hykes and Donna Allison

Trustees * Notes the Chairperson

2024	2025	2026
Chuck Wenger	*Verle Deibel	Sondra Demuth
Charlene Rankin	Jim Whipkey	Chuck Demuth
Kurt Rowland	Jake Akers	Paul Kreiger
		Bob Allison

Nominating Committee

2024	2025	2026	Lay leaders
Mary Ellen Whipkey	Diane Bell	Dan Mamula Jr.	Don Gibson
Rita Roth	Sally Storad		

Broadway's Leadership Index 2024

Lay Ministers

Dale Fincher, Don Gibson, Lovejoy Das, Ryan Best and Tim Larkin

Worship * Notes the Chairperson

Director of Music/Wesleyan Choir Director: Kathy Gibson*

Praise Team Coordinator: Tim Larkin

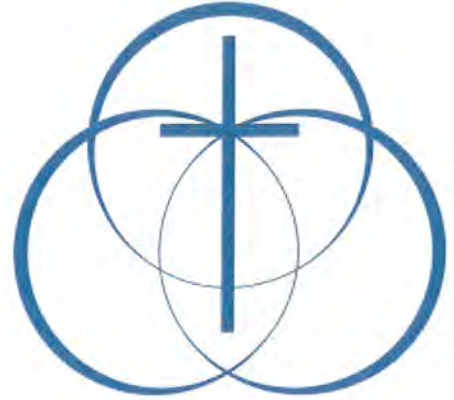
Communion Stewards: Bob & Donna Allison

Head Ushers: 8:30am Paul & Linda Kreiger 10:45am Dan & Doris Mamula

Administrative Assistant: Tammy Beavers

Audio-Visual: Don Gibson

Altar Guild: Jenny Wenger



Mission Committee * Notes the Chairperson

Patty Housel	Tammy Beavers	*Mary Tweddle	Lottie Tipton
Tim & Robbin Holman	Sarah Stucin	Kathy Whitson	Cindy McComb
Buni Maurer	Mary Leigh Sears	Becky Roth	
Dave Roll			

Fellowship & Care Ministries

Kitchen Coordinator: Charlene Rankin

Assistant: Becky Roth

Bereavement Coordinator: Becky Roth

Assistant: Patty Housel/Charlene Rankin

Meals: Cecily Fincher/Mary Lehigh Sears

Salvation Army Meals Coordinator: Mary Ellen Whipkey & Buni Maurer

Serving Coordinators

Librarian: Tammy Beavers

Scouting Coordinator: Jennifer Miller

Historian: Kathy Gibson

Bible Quiz

Second Kings, chapter 5, tells of Namaan, an army commander who had leprosy. A certain prophet of the Lord sent a message to Namaan, telling him to go wash in the Jordan River seven times. Reluctantly, Namaan did so and was healed.

Choose the prophet's name from the list below:

- A. Micah
- B. Elisha
- C. Elijah
- D. Judah

Answer: B

Impact Youth Schedule January/February 2024

January 3 - No Discipleship

January 6 - First Saturday Fusion at Roxford from 7:00-9:30 PM

January 10- No Discipleship

January 14 - Youth at Broadway from 6:00-8:00 PM

January 16 - Every other Tuesday is now Discipleship at Broadway from 6:30-7:30 PM. We will meet in the Youth office.

January 21 - Youth at Roxford from 6:00-8:00 PM

January 28 - Youth at Broadway from 6:00-8:00 PM

January 30 - Tuesday Discipleship at Broadway 6:30-7:30 PM

February 3 - First Saturday Fusion at Roxford from 7:00-9:30 PM

February 11 - Youth at Broadway from 6:00-8:00 PM

February 13 - Tuesday Discipleship at Broadway from 6:30-7:30 PM

February 18 - Youth at Roxford from 6:00-8:00 PM

February 25 - 10:45 AM Worship at Broadway Church led by the Youth followed by SOUPER BOWL contest

February 27 - Tuesday Discipleship at Broadway from 6:30-7:30 PM

Happy New Year! May this year be filled with many joys and blessings!

Impact Youth: You all have a bright year ahead to learn, grow and experience your Faith. Show up, be present and let's make an Impact in 2024!

Youth Ministry Director: Shelly Hawthorne 330-432-7520

Please ask to join the Remind App for the latest youth updates. Additional events will be added to the schedule, including Youth led services.



Nursing Home

Northwood Village

5799 North Wooster Ave. Dover 44622

Sheryl Thompson—510
Don & Betty Limbacher

Park Village Southside

1019 Oldtown Valley Rd. SE New Phila. 44663

Lois Jarvis—1H
Nancy Ebersbach—24C
Phyllis Beans (Lona Roll's mom)
Dan & Hazel Trushell —A12

(formerly went to Bowerston Methodist Church)

Park Village

1525 North Crater Ave. Dover 44622

Don Storad (Sally Storad's father-in-law)
Room 1511 Apt. A

Bolivar Horizons

10071 State Rt. 212, Bolivar 44612

Jennifer George

Schoenbrunn Nursing Center

2594 East High Avenue New Phila. 44663

Virgil Ours—105

Country Club Nursing Center

362 E. Iron Avenue Dover 44622

Leah Gartrell—326
(Kathy Gibson's cousin)



Homebound Friends:

Dick Housel

1729 Oldtown Va. Rd, SE New Phila.

Clifford Shepherd

719 Third Street, SE New Phila.

Maxine Reichman

216 Creekside SE New Phila.

Joyce Greco

1291 Hilltop Road, NW New Phila.

Donna Deedrick

144 North Avenue, NW New Phila.

Kris Bragg

2189 Possum Hollow Rd. SE New Phila.

Ginger Whitmore

3301 Cobble Stone Drive
Washington, PA 15301

Prayer for President's Day

Lord of heaven and earth, we offer you our deepest appreciation for this blessed land. Stir up a sense of stewardship in every citizen so we all may care for our nation and each inhabitant of it.

We pray especially for our leaders. Prompt everyone in a position of authority, from local to national leaders, to strive for righteousness, justice and the welfare of all citizens.

Finally, we pray that we may be ever mindful of the psalmist's teaching that "Happy is the nation whose God is the LORD . . ." (Psalm 33:12). May that promise become real "from sea to shining sea."

Amen

January Birthdays

January 3 Sally Storad
January 4 Doug Miller
January 6 Paul Ballard
January 9 Cecily Fincher
January 14 Kristen Pastircak
January 15 John Maurer
January 17 David Bell
Janet Stout
January 19 Denise Larkin
January 22 Leena Ahlstrom
Karen Chaney
Nancy Ebersbach
Jane Jarvis

February Birthdays

February 5 Nicole Chambers
February 6 Angela Best
Dennis Doney
February 7 Katie Weaver
February 8 Calista Neff
Kyle Rowland
Pastor Kory Rowland
February 9 Ann Proctor
February 10 Austin Beal
February 11 Dave Rini
February 13 Xavier Best
Sheryl Thompson
February 22 Isaiah Ramage
February 23 Verle Deibel
Melissa Fry
February 27 Elizabeth Thomakos

Happy Anniversary!

January 1 Dave & Joan Schroeder
January 3 Ed & Nancy West
January 9 Bruce & Maggie Rose
January 16 Jim & Mary Ellen Whipkey
January 26 Stephen & Sally Stevenson

Happy Anniversary!

February 11 Chris & Christa Demuth
February 24 Ryan & Angela Best
February 26 Bob & Donna Allison



Dear Broadway family,

My heart is full of gratitude for the outpouring of love that I felt when Dave went to be with our Lord. Thank you for your prayers, many cards and, especially heartwarming, to those of you who made the trip to Brunswick for the visiting hours and the memorial service. Your love and care help ease my loss. Love and hugs to all.

Your sister in Christ,
Marcia Taylor



Operation Christmas Child

Well, another year of packing shoeboxes is over. On November 4th, we had over 60 folks packing shoeboxes for OCC. With our packing party and those who packed their own shoeboxes, we sent 1,293 Gospel Opportunities to present Christ to children around the world. What goes in the box is fun, what comes out is eternal. Eighteen women representing our church, Broadway Global Methodist,

traveled with the Making Memories group to process shoeboxes in Charlotte, NC, from November 26th to November 29th.

If you are interested in going to Charlotte to process shoeboxes, contact Becky Roth for more info. Registration for the trip from December 1st to December 4th will need to be in May 2024.

Another year begins to buy and process items for our packing party in November 2024. We will be doing inventory sometime in January 2024.

Without your generosity, we could not have sent so many Gospel Opportunities. Thank you for your Love and Support. Becky Roth

“Anyone who welcomes a little child like this on my behalf welcomes me, and anyone who welcomes me welcomes not only me but also my Father who sent me.” (Mark 9:37 NLT).



Church Council Meeting

Monday, January 8th, @ 7 PM in Spencer Hall. Everyone is invited to attend! Please note you must be a member of Church Council to vote. If you want to bring something to Council, please notify Mike Mossor or Pastor Harley.

Thoughts for Valentine’s Day

Valentine’s Day, a time when thoughts turn to love. But what is love? Is it a box of chocolates, or a pretty valentine? Is it a red rose, or maybe a dozen? Is it a peck on the cheek, a fond embrace, or a big bear hug?

Well, sometimes love is known in those ways. But love, real love, is how we relate to God and to one another if life is what it ought to be – beautiful!



New to Broadway?

Come for Pie With the Pastor

If you are new to Broadway Church, Pastor Harley would love to sit down with you, hear about missions and ministry here, and learn how you can be a part of it. So come to Pie With the Pastor this January. There will be two meetings, about an hour and a half each, and a choice of morning and evening. **Thursday, January 11th, 2 PM or 6:30 PM, and Thursday, January 18th, same times.** Contact the Church office at (330) 339-1082 with any questions and to let us know you are coming.



2024 Broadway Roster

Broadway rosters are available in the airlock by the parking lot doors. A roster is a list of names, addresses, and phone numbers of everyone at Broadway Church. If you have moved recently, changed your phone number, or are new to Broadway and would like to be added, please get in touch with the Church office. We would love to have photos of everyone for the roster. Please contact Tammy, and she can set this up for you. Rosters are updated all year long and placed in the airlock for everyone.

November 2023

General Funds

Envelopes	22,201.41
Plate Offering	2,452.00
Sunday School	141.00
Total	24,794.41

Missions

Ann Spencer	40.00
OCC	5,216.40
CCHO	3,023.00
Gideons	20.00
Good Sam	35.00
Total	8,334.40
Total Revenue	33,233.81
Expenses	31,087.88

Three Questions:

1. What is the shortest chapter in the Bible?
2. What is the longest chapter in the Bible?
3. What chapter is in the center of the Bible?



- Answers: 1. Psalm 117
2. Psalm 119
3. Psalm 118

Journey Through Grief Group

If anyone is interested in joining the group but needs an evening meeting time, please get in touch with Marlene Miller. She will happily add a group that meets one evening per week. Now is a great time to join the group. Journey Through Grief meets on Fridays in Spencer Hall at 10:00 AM. Please get in touch with Marlene Miller at 330-260-6816 for interest or questions.

Online Giving through VANCO is back!

Beginning January 1st be sure to check out our website thebroadwaychurch.org and click on the **GIVE** button.

Why Tithing is Important

- Help us accomplish and expand our missions
- Enables us to do good works in our local community
- Helps us maintain and grow our physical Church
- Supports our pastor and faith team

Easy to Use

1. Select your fund and click the Donate button. Next, choose a donation amount and frequency, then proceed to payment.
2. Enter your credit card, debit card or bank account information. Sign up for an account to save your information for future donations.
3. Review and complete your gift by clicking Submit.

*From your Vanco Online account, you can review your giving history, manage recurring donations and update payment information.

Contact Angela, Jenny or Tammy at (330) 339-1082 or stop by the Church office if you have any questions.



WE STAND FOR

SANCTITY
OF
HUMAN
LIFE



SUNDAY, JANUARY 21, 2024

“The Lord called me from the womb, from the body of my mother He named my name.”

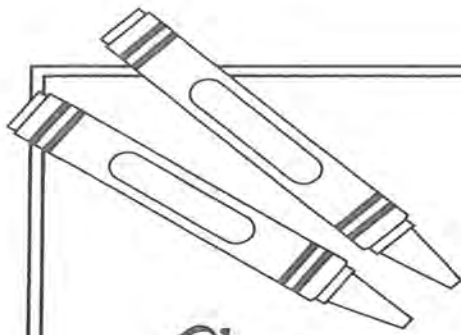
(Isaiah 49:1)

In America, there are approximately 98 abortions every hour!



2024 Total Budget

GMC Connectional Funding	15,000
Salaries, Allowances & Benefits	
Salaries	153,642
Pastor's Allowances & Benefits	31,729
Staff Allowances & Benefits	2,265
Payroll Taxes	7,664
Total Salaries/Allowances/Benefits	195,300
Program Expenses	
Annual Conference Lay Delegate	500
Children's Ministries	7,820
Committees	1,500
Evangelism	2,050
Family Life	3,000
Ministries	2,100
Kitchen	3,800
Music	1,650
Sunday School	1,500
VBS	3,800
Worship	6,700
Youth Group	4,000
Total Program Expenses	38,420
Office Expenses	23,950
Property (Church)	
Insurance	15,000
Maintenance	28,718
Major Repairs	63,000
Utilities	26,400
Total Church Properties	133,118
Parsonage	
Insurance	1,500
Maintenance	2,400
Major Repairs	17,000
Taxes	3,200
Utilities	8,500
Total Parsonage	32,600
Frank Buss Property	
Demolition	15,000
Taxes	750
Tree Removal	5,000
Total Frank Buss Property	20,750
Total 2024 Budget	459,138

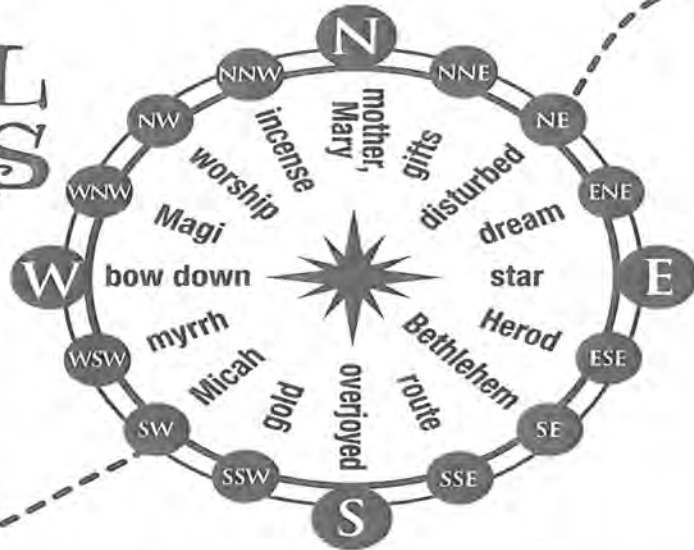


Just for

KIDS

SPECIAL VISITORS

Matthew 2 tells of visitors who traveled to worship Jesus. Read that story, or see if you can answer the questions below from memory. Use the compass guide to fill in the correct answers.



1. Who was king during the time of Jesus' birth? _____ (ESE)
2. Who came from the East to worship the one born king of the Jews? _____ (WNW)
3. How was King Herod feeling about Jesus' birth? _____ (NE)
4. Which prophet did the chief priests and teachers of the law quote when King Herod asked where the Christ would be born? _____ (SW)
5. In what city would Christ be born? _____ (SE)
6. King Herod lied to the wise men and told them to search and report back so he, too, could do what to Christ? _____ (NW)
7. What did the Magi see in the east and follow to find Jesus? _____ (E)
8. When the star stopped, how did the Magi feel? _____ (S)
9. Who else did the Magi see with Jesus? His _____ (N)
10. What did the Magi do first before they worshiped the child? _____ (W)
11. Name the three treasures the Magi brought for Jesus. _____ (SSW)
 _____ (NNW) _____ (WSW)
12. These three treasures were all brought for Jesus as ... _____ (NNE)
13. What warned the Magi not to return to Herod? A _____ (ENE)
14. The Magi had to return to their country by another _____ (SSE)

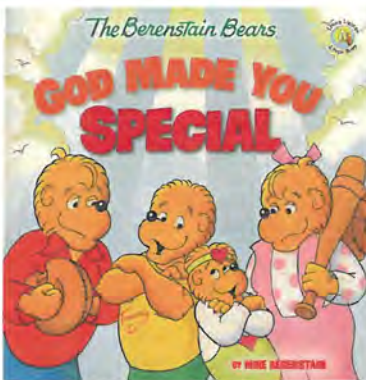
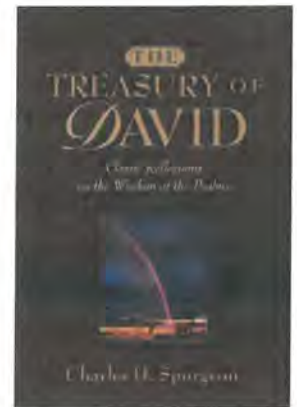
Answers: 1. Herod, 2. Magi, 3. disturbed, 4. Micah, 5. Bethlehem, 6. worship, 7. star, 8. overjoyed, 9. mother, Mary, 10. bow down, 11. gold, incense, myrrh, 12. gifts, 13. dream, 14. route

NEW IN THE LIBRARY!

The Treasury of David

Spurgeon's own commentary on every verse of the Psalms is extremely insightful, and by itself is quite rich. In *The Treasury of David* you will also find a wealth of illuminating extracts and quotes from hundreds of commentators, contemporaries of Spurgeon as well as the great Puritan expositors of the seventeenth and eighteenth centuries.

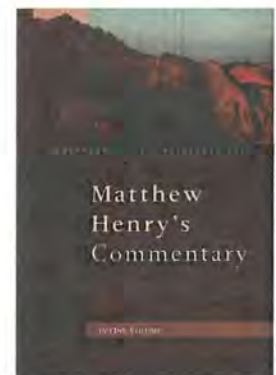
Whether you are teaching on the Psalms, studying them for personal devotions, or simply intrigued by the writings of Spurgeon, you'll enjoy this splendid classic.



The Bernstein Bears-God Made You Special

The Bruins join the Bear family for a cookout and bring their cousin Tommy along. It isn't long before the cubs start up a game of baseball and Sister soon notices that Tommy doesn't play like the rest of the group. When Sister asks about Tommy, Mama takes the opportunity to talk to Sister about how God makes each of us unique in our own way, and that we all have special gifts and talents to share with the folks around us.

Matthew Henry's Commentary has been the best-loved and most widely used English commentary for two centuries. This recent revision makes it more accessible for modern readers! Henry's most valuable insights are skillfully abridged without paraphrasing or altering the original language. A new generation of Bible students will enjoy his wealth of exposition and comment, metaphors, analogies, and illustrations, and practical help. 1986 pages in readable two-column format, hardcover from Zondervan.



This **Harmony of the Gospels** is introduced as a resource to encourage a deeper understanding of Jesus Christ, His life, death, and resurrection. This work provides a modern English translation of the gospels which is based on a more literal philosophy of translating the Greek text.

Your Witness—“Your Vision...God’s Glory” - by Don Gibson

Question: Our waitress, cashier, neighbor, fellow employee, family member. What do they all have in common? OK...our answer/your answer? _____

And God’s answer? *“The Lord is not slack concerning his promise...not willing that any should perish, but that all should come to repentance.”* **2 Peter 3:9** God is calling all to be saved from sin, and to grow in Christ as a servant of righteousness. *“Being then made free from sin, ye became the servants of righteousness.”* **Romans 6:18**

Where would you and I fit in? Witnessing for Christ in our daily lives. What an honor. What a treat to share Christ’s message with others—to hear people share their questions, fears and doubts—then have the opportunity to show them an answer from God.

But one might say, “I’m afraid to do that.” or “I’m not sure how to do that.” OK. That’s fair. But if we take that to God in prayer, asking Him to show us, teach us, encourage us. **Do we really think God can’t to that?** He can and He will. That’s in his job description.

Here’s the key. “Father in Heaven, **give me the vision** to be your servant of righteousness. Teach me through your Word. Put me in a small group, a Sunday School class, a relationship with a friend or pastor who will teach me or lead me to the opportunity to learn to be Christ’s servant—with joy and confidence.

So, the key is catching the vision of being God’s servant. Let’s relax the world’s focus, and ask for God’s focus. Ask for the vision. It’s God’s will. God gives us His grace to do it because we could never do it using our own desires and abilities. God provides desire. God provides opportunity. God offers the way. We submit.

Galatians 1:3-4 *“Grace be to you and peace from God the Father, and from our Lord Jesus Christ, Who gave himself for our sins, that he might deliver us from this present evil world, according to the will of God and our Father.”*

It really takes the Spirit of God to give us the vision and lead us in the way. That’s a super prayer request, isn’t it? Just pray about it. Seek Scriptures about it. God leads. God provides.

Romans 8:14 *“For as many as are led by the Spirit of God, they are the sons of God.”*

So here’s my suggestion for the answer in the first line above. Pray that God gives us the vision to be His servants of righteousness. **It’s a new focus for 2024.**

This column repeats. Do you have a witnessing question or testimony to share? Call me at 330-260-7837 or email don@linkpointplanning.com; or contact Tammy in the office.



- January 7** “Bold Access” Ephesians 3:12-13
- January 14** “The Battered Heart” Hosea 6:1-6
- January 21** “False and True Friends” 2 Samuel 19:24-30
- January 28** “Constructive Life” 1 Corinthians 10:31-33
- February 4** Boy Scout Sunday
- February 11** Clay Selway from Cru Campus Ministry will preach at both services
- February 18** “Overnight Delivery” Exodus 4:29-31
- February 25** ***Combined Worship at 10:45 AM led by our Youth followed by our SOUPER BOWL Contest and lunch in Spencer Fellowship Hall***

Pastor Knee Surgery

Pastor Harley will have knee surgery and be off February 4 & 11. If you have a pastoral emergency, please call Tammy in the Church office at (330) 339-1082.

Thinking of Lent? Lent begins February 14th, 2024

Advent prepares us for Christ’s birth; Lent prepares us for the glorious act of Christ’s resurrection. What each of us does regarding our spiritual life makes Lent most meaningful.

Lent is an excellent time to read, study, and inwardly digest the four gospels. (the word gospel means “good news.”)

A college student decided to work through Matthew, Mark, Luke, and John for his Lenten devotional time. Soon, he was fascinated by the stories, such as the Pharisees and Sadducees trying to trap Jesus in debate. The brilliant Jesus handled every occasion with wisdom, leaving the authorities dumbfounded.

During his devotional time, the student was filled with laughter and amazement at the brilliant son of God, who was only in his 30’s. Get to know the good news, and you’ll understand the young man’s amazement.

Broadway Global Methodist Church
We strive to be Bible faithful!
 120 Church Avenue SE New Phila. Ohio 44663
 Office Phone: (330) 339-1082
 Office Hours: Monday - Thursday 8:00 - 4:00 PM
 E-mail: tammy@thebroadwaychurch.org

Pastor Harley Wheeler
Worship times:
 8:30 AM Traditional
 10:45 AM Contemporary
 9:45am Sunday school
Website: thebroadwaychurch.org